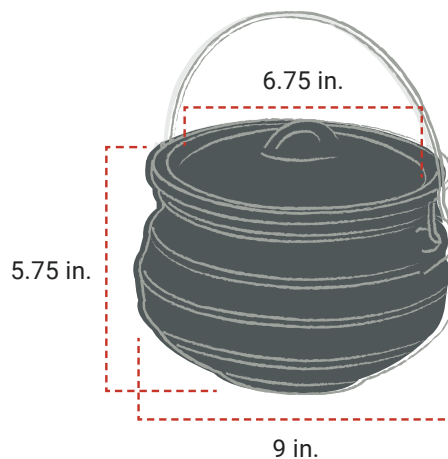


1 GALLON KETTLE

KETTLE SPECIFICATIONS

SKU: BR-1380



ARRIVES PRE-SEASONED

MATERIAL:

Cast Iron
Stainless Steel Handle

DIMENSIONS:

Width: 9 in.
Height: 5.75 in.
Inside Diameter: 6.75 in.
Weight: 13.71 lbs.

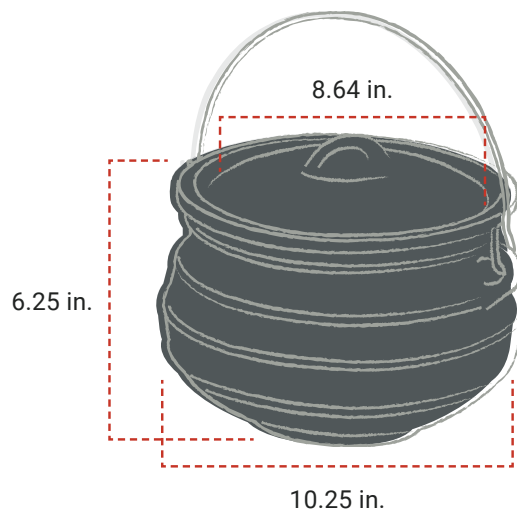


BREEO.COM

1.5 GALLON KETTLE

KETTLE SPECIFICATIONS

SKU: BR-1381



ARRIVES PRE-SEASONED

MATERIAL:

Cast Iron
Stainless Steel Handle

DIMENSIONS:

Width: 10.25 in.
Height: 6.25 in.
Inside Diameter: 8.64 in.
Weight: 16.76 lbs.

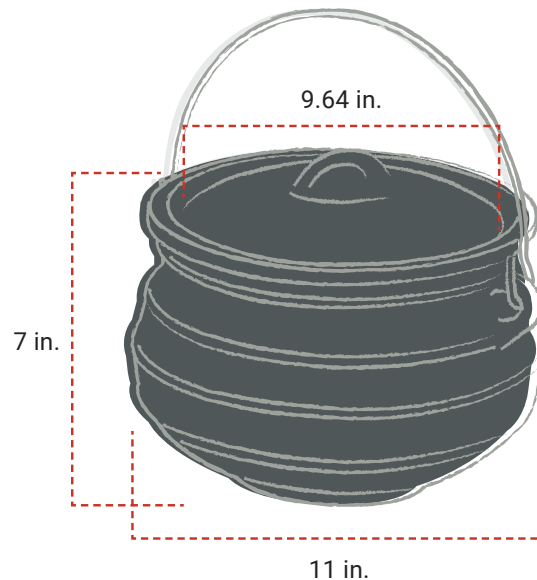


BREEO.COM

2 GALLON KETTLE

KETTLE SPECIFICATIONS

SKU: BR-1382



ARRIVES PRE-SEASONED

MATERIAL:

Cast Iron
Stainless Steel Handle

DIMENSIONS:

Width: 11 in.
Height: 7 in.
Inside Diameter: 9.64 in.
Weight: 21.78 lbs.



BREEO.COM