

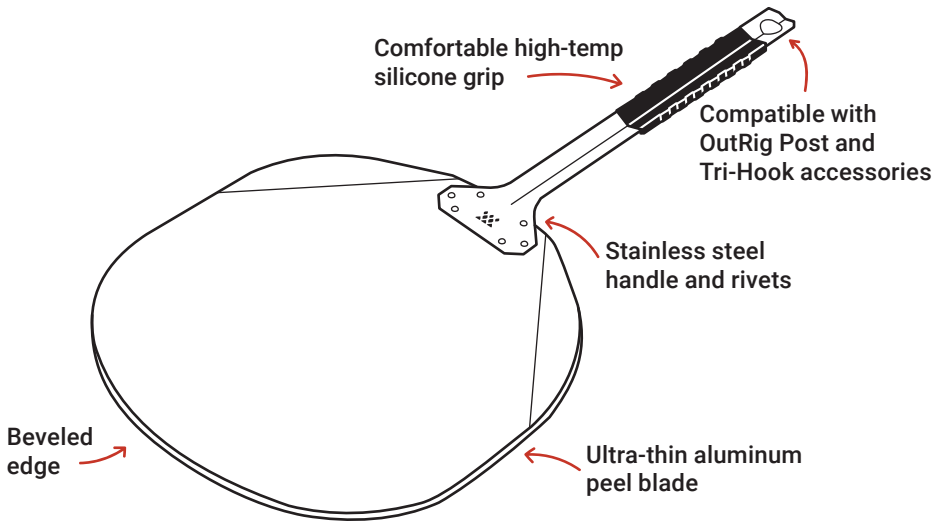
 **BREEDO®**

**USER  
GUIDE**

**PIZZA  
PEEL**

## PROFESSIONAL TOOL FOR PIZZA PERFECTION

Maneuver your pizza like a pro with the Breeo Pizza Peel. Designed with the perfect combination of style and functionality, it can slip under pizzas seamlessly while being sturdy enough for the most loaded pies. Using the Breeo Pizza Peel means you can prep, launch, rotate, and remove your pizza with ease, while its heat-resistant silicone grip gives you full control of your cook every time.



## FEATURES

**CONSTRUCTION:** Stainless steel handle and rivets with aluminum peel blade and comfortable high-temp silicone grip

**LIVE-FIRE COOKING:** Beveled edge on peel blade to easily slide under pizza

**DESIGN:** Ultra-thin peel blade (.055") is sturdy and flexible

**BREEO ECOSYSTEM:** Compatible with OutRig™ Post and Tri-Hook accessories

## USE PEEL

### 1 PREP

Put flour or cornmeal on the peel under the dough to help it slide off the peel easier into the oven. We recommend shaping your dough and adding toppings with the dough on the peel.



### 2 LAUNCH

Place the peel into the opening over the pizza stone. In a smooth, quick motion, draw the peel out of the oven, allowing the pizza to slide off onto the stone.

It may take a few gentle shimmying motions to get the pizza fully off the peel and onto the stone. This is where the cornmeal or flour underneath the dough will help the transfer go smoothly.



### 3 ROTATE

After a minute or so, the crust of your pizza will have hardened a bit, so you should be able to slide the peel under the crust fairly easily. You can either use the peel to rotate the pizza within the oven or you can pull the pizza out and spin it on the peel with your hand before sliding it back in.



## CARE

Weather resistant through all seasons.  
Clean with soap and hot water.

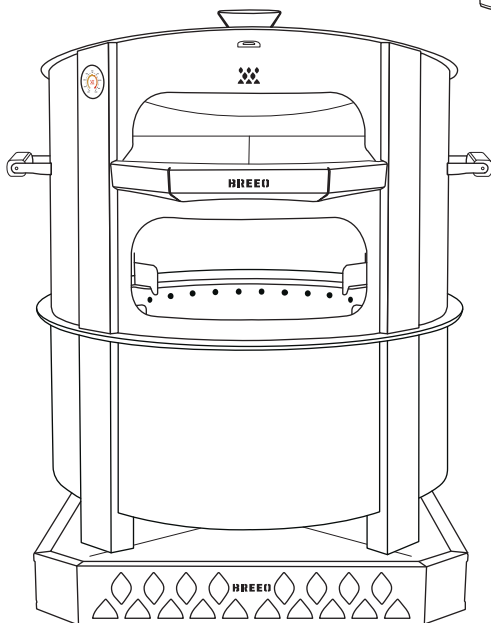
Barkeepers Friend or SOS pad can be used to remove more stubborn dirt.

## WARNING

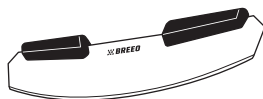
Peel can become hot when in use with oven.

## COMPLETE YOUR PIZZA OVEN SETUP

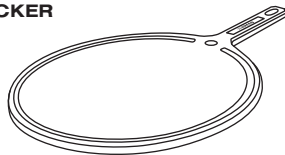
LIVE-FIRE PIZZA OVEN



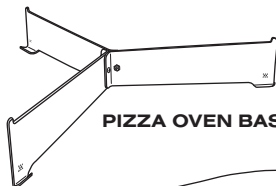
X SERIES 24 FIRE PIT  
WITH BREO BASE



PIZZA ROCKER



SERVING BOARD



PIZZA OVEN BASE



PIZZA OVEN COVER

## BECOME A PIZZA PRO

### QUICK START GUIDE

Follow this quick start guide to learn the basics as you start your journey to becoming a pizza pro. The primal and analog nature of live-fire cooking is part of what makes it challenging, as well as rewarding. So don't be discouraged if your first pizza isn't perfect, you'll keep improving the more pizzas you get under your belt. And if you do enough you might need a bigger belt.

→ [Watch the quick start guide video](#)





# WARRANTY

Breco, LLC warrants to the original purchaser that the Breco Fire Pits and Accessories are free from workmanship and material defects during the lifetime of the original purchaser. In addition Breco, LLC warrants no rust through or burn through for a period of five (5) years from purchase. If a product is covered by this limited warranty, Breco, LLC, at its option, will repair or replace with a new product free of charge, excluding any applicable shipping and handling charges. If the product being warranted has been discontinued, the replacement product will be of equal or similar value. Altering any Breco product, or using the product in any way other than the intended use, will void this Lifetime Warranty. Except as provided above, no warranty is offered on rust, paint or finishes due to being made with material with potential for corrosion. Steel products will develop a natural iron oxide patina over time.

Breco, LLC's liability and obligation is limited to repair or replacement of the product, at their option. The purchaser must provide Breco, LLC with photos of the product's defects for evaluation. Upon approval of warranty, Breco, LLC will issue a return for repair, or return for exchange of the defective product.

This warranty does not cover damage or product failure caused by normal wear and tear, accident, misuse, negligence, tampering, modifications, act of war, overloading, improper attachment, improper maintenance, or failure to maintain. Breco, LLC is held harmless for any injury or death caused by the misuse of this product. This warranty does not cover damage caused by proper or improper use of our products to any surrounding surfaces, structures, or furnishings. This includes, but is not limited to, discoloration or damage to a patio or deck surface, furniture, house, or any other structure.

This warranty gives you specific legal rights providing said product is put to its proper designated use. THIS WARRANTY IS EXPRESSLY IN LIEU OF ALL OTHER WARRANTIES, EXPRESS OR IMPLIED, INCLUDING THE WARRANTY OF MERCHANTABILITY AND FITNESS FOR A PARTICULAR PURPOSE. NO ORAL AGREEMENT, GUARANTEE, PROMISE, REPRESENTATION OR WARRANTY SHALL BE BINDING. IN NO EVENT WILL BRECO, LLC BE LIABLE FOR ANY SPECIAL, INDIRECT, INCIDENTAL OR CONSEQUENTIAL DAMAGES EVEN IF BRECO, LLC HAS BEEN ADVISED OF THE POSSIBILITY OF SUCH DAMAGES AND EVEN IF BRECO, LLC HAS KNOWLEDGE THAT FAILURE TO PERFORM COULD CAUSE CONSEQUENTIAL ECONOMIC LOSSES. IN ANY EVENT, CUMULATIVE DAMAGES FOR BREACH OF THIS WARRANTY WILL BE LIMITED TO THE AMOUNT ACTUALLY PAID TO BRECO, LLC FOR THE PRODUCT. THIS PARAGRAPH SHALL APPLY TO ALL ACTIONS RELATED TO THE PRODUCT, WHETHER BASED ON TORT, CONTRACT OR OTHER THEORIES. THE PURCHASER ACKNOWLEDGES THAT THIS PARAGRAPH ALLOCATES THE RISK OF PRODUCT FAILURE BETWEEN BRECO, LLC AND THE PURCHASER, AND THAT THIS ALLOCATION IS REFLECTED IN THE PRICE PAID.

## EARN POINTS & ENJOY MEMBERSHIP BENEFITS

### BECOME A FIREMASTER

- 1 SIGN UP**  
Create an account and earn points.  
[breco.com/pages/rewards](https://breco.com/pages/rewards)
- 2 EARN POINTS**  
Every time you shop.
- 3 REDEEM POINTS**  
For exclusive discounts and products.



**BRECO.COM**

**(800) 413-9848**

**CONTACT@BREO.LLC.COM**

©2024 Breco LLC. All rights reserved. 01/24

**SHARE & TAG  
US ON SOCIAL**



**@BRECO**

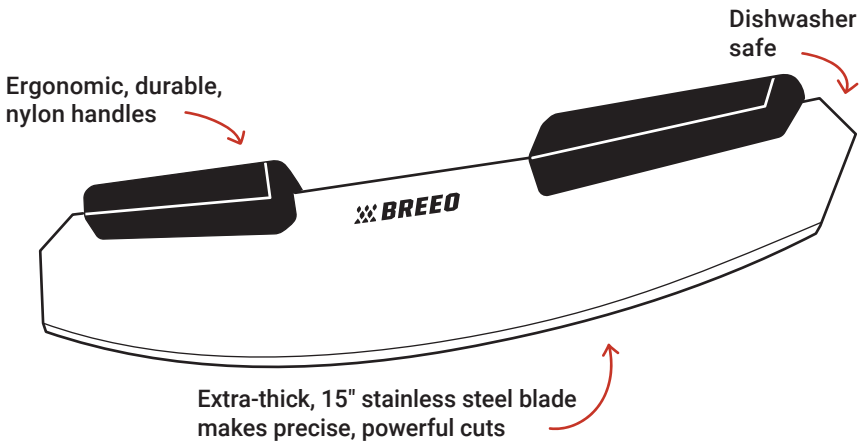


# **USER GUIDE**

# **PIZZA ROCKER**

## PROFESSIONAL TOOL FOR PIZZA PERFECTION

The Breoo Pizza Rocker slices pizza perfectly with an extra-thick, stainless steel design, durable nylon handles, and an edge that cuts with authority. Designed to elevate your pizza making experience, just one cut of the Pizza Rocker and you'll feel the difference comfortable handles and crisp cutting action makes as you serve up perfect slice after perfect slice.



## FEATURES

**CONSTRUCTION:** Ergonomic, durable, nylon handles for comfort and extra-thick, stainless steel blade

**DESIGN:** 15" blade allows slicing entire pizza in a single cut

**EASY CARE:** Dishwasher safe

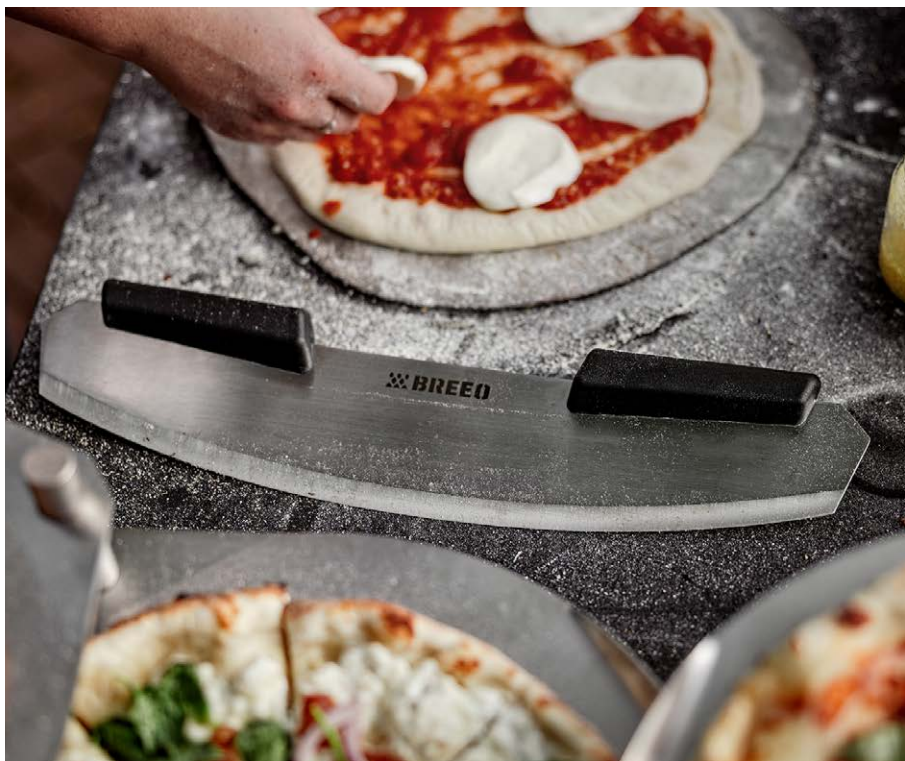
## USE & CARE

Use the pizza rocker to serve up perfect slices. With two hands on the handles rock the Pizza Rocker from side to side across the pizza. Repeat around the pizza for as many slices as you want.

Dishwasher safe and weather resistant through all seasons, but best when cleaned with soap and hot water. Barkeepers Friend or SOS pad can be used to remove more stubborn dirt.

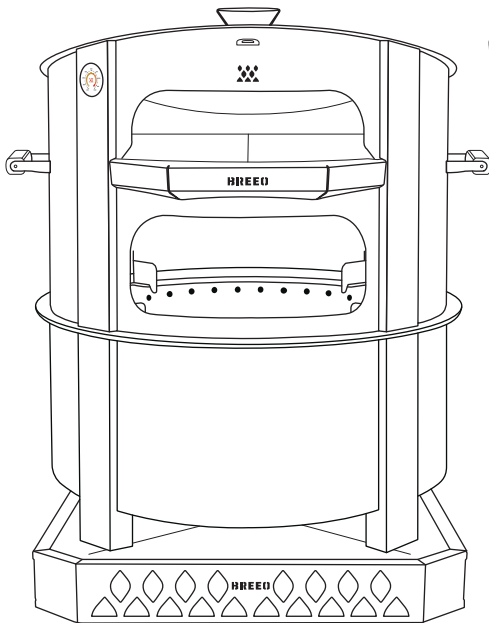
## WARNING

Avoid placing nylon handle on hot surfaces. *Rocker blade is extremely sharp.*

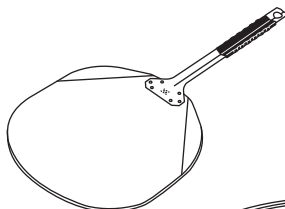


## COMPLETE YOUR PIZZA OVEN SETUP

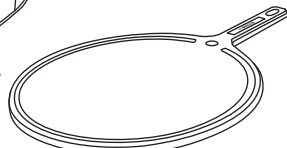
### LIVE-FIRE PIZZA OVEN



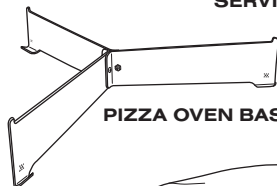
**X SERIES 24 FIRE PIT  
WITH BREEO BASE**



**PIZZA PEEL**



**SERVING BOARD**



**PIZZA OVEN BASE**



**PIZZA OVEN COVER**

## BECOME A PIZZA PRO

### QUICK START GUIDE

Follow this quick start guide to learn the basics as you start your journey to becoming a pizza pro. The primal and analog nature of live-fire cooking is part of what makes it challenging, as well as rewarding. So don't be discouraged if your first pizza isn't perfect, you'll keep improving the more pizzas you get under your belt. And if you do enough you might need a bigger belt.

→ [Watch the quick start guide video](#)



## WARRANTY

Breco, LLC warrants to the original purchaser that the Breco Fire Pits and Accessories are free from workmanship and material defects during the lifetime of the original purchaser. In addition Breco, LLC warrants no rust through or burn through for a period of five (5) years from purchase. If a product is covered by this limited warranty, Breco, LLC, at its option, will repair or replace with a new product free of charge, excluding any applicable shipping and handling charges. If the product being warranted has been discontinued, the replacement product will be of equal or similar value. Altering any Breco product, or using the product in any way other than the intended use, will void this Lifetime Warranty. Except as provided above, no warranty is offered on rust, paint or finishes due to being made with material with potential for corrosion. Steel products will develop a natural iron oxide patina over time.

Breco, LLC's liability and obligation is limited to repair or replacement of the product, at their option. The purchaser must provide Breco, LLC with photos of the product's defects for evaluation. Upon approval of warranty, Breco, LLC will issue a return for repair, or return for exchange of the defective product.

This warranty does not cover damage or product failure caused by normal wear and tear, accident, misuse, negligence, tampering, modifications, act of war, overloading, improper attachment, improper maintenance, or failure to maintain. Breco, LLC is held harmless for any injury or death caused by the misuse of this product. This warranty does not cover damage caused by proper or improper use of our products to any surrounding surfaces, structures, or furnishings. This includes, but is not limited to, discoloration or damage to a patio or deck surface, furniture, house, or any other structure.

This warranty gives you specific legal rights providing said product is put to its proper designated use. THIS WARRANTY IS EXPRESSLY IN LIEU OF ALL OTHER WARRANTIES, EXPRESS OR IMPLIED, INCLUDING THE WARRANTY OF MERCHANTABILITY AND FITNESS FOR A PARTICULAR PURPOSE. NO ORAL AGREEMENT, GUARANTEE, PROMISE, REPRESENTATION OR WARRANTY SHALL BE BINDING. IN NO EVENT WILL BRECO, LLC BE LIABLE FOR ANY SPECIAL, INDIRECT, INCIDENTAL OR CONSEQUENTIAL DAMAGES EVEN IF BRECO, LLC HAS BEEN ADVISED OF THE POSSIBILITY OF SUCH DAMAGES AND EVEN IF BRECO, LLC HAS KNOWLEDGE THAT FAILURE TO PERFORM COULD CAUSE CONSEQUENTIAL ECONOMIC LOSSES. IN ANY EVENT, CUMULATIVE DAMAGES FOR BREACH OF THIS WARRANTY WILL BE LIMITED TO THE AMOUNT ACTUALLY PAID TO BRECO, LLC FOR THE PRODUCT. THIS PARAGRAPH SHALL APPLY TO ALL ACTIONS RELATED TO THE PRODUCT, WHETHER BASED ON TORT, CONTRACT OR OTHER THEORIES. THE PURCHASER ACKNOWLEDGES THAT THIS PARAGRAPH ALLOCATES THE RISK OF PRODUCT FAILURE BETWEEN BRECO, LLC AND THE PURCHASER, AND THAT THIS ALLOCATION IS REFLECTED IN THE PRICE PAID.

## EARN POINTS & ENJOY MEMBERSHIP BENEFITS

### BECOME A FIREMASTER

- 1 SIGN UP**  
Create an account and earn points.  
[breco.com/pages/rewards](https://breco.com/pages/rewards)
- 2 EARN POINTS**  
Every time you shop.
- 3 REDEEM POINTS**  
For exclusive discounts and products.



**BRECO.COM**

**(800) 413-9848**

**CONTACT@BREO.LLC.COM**

©2024 Breco LLC. All rights reserved. 01/24

**SHARE & TAG  
US ON SOCIAL**



**@BRECO**



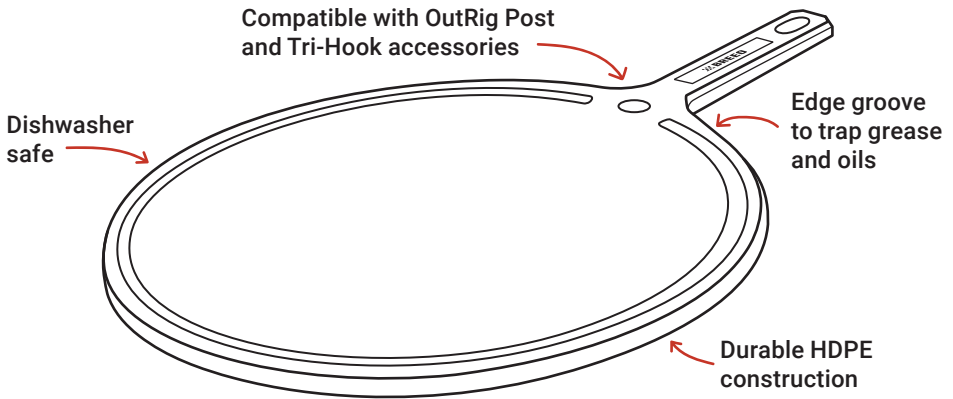


# USER GUIDE

# SERVING BOARD

## PREP & SERVE A LIVE-FIRE FEAST

Breeo's sleek and versatile Serving Board is an all-in-one cutting surface and serving tray. Durable and easy to clean, the Serving Board completes your live-fire cooking presentation with an edge groove on one side that traps oil and grease while its smooth side is perfect for prep work. Pair it with Breeo's OutRig™ Post and Tri-Hook accessories to maximize your fireside efficiency and elevate your presentation.



## FEATURES

**CONSTRUCTION:** High-quality, durable HDPE construction

**LIVE-FIRE COOKING:** Acts as a cutting surface and serving tray

**DESIGN:** Includes edge groove to trap grease and oils

**BREEO ECOSYSTEM:** Compatible with OutRig Post and Tri-Hook accessories

**EASY CARE:** Dishwasher safe

## USE & CARE

Use in conjunction with the OutRig Post to maximize space. Prep, cut, and serve your live-fire meals in style.

Dishwasher safe and weather resistant through all seasons, but best when cleaned with soap and hot water. Barkeepers Friend or SOS pad can be used to remove more stubborn dirt.

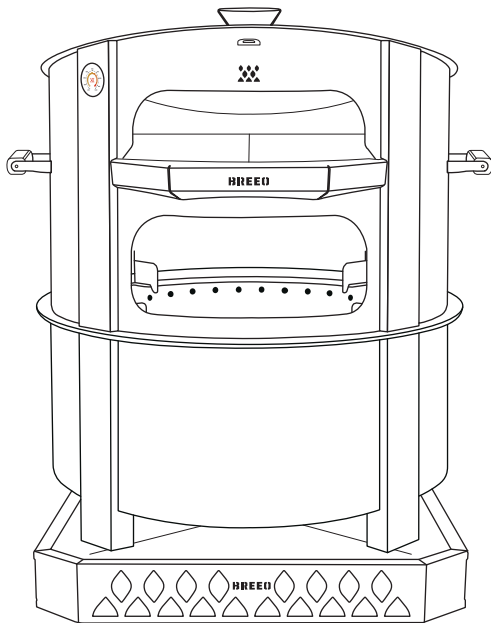
## WARNING

High temperatures can melt the HDPE. Do not place the Serving Board over the fire or inside the oven.



## COMPLETE YOUR PIZZA OVEN SETUP

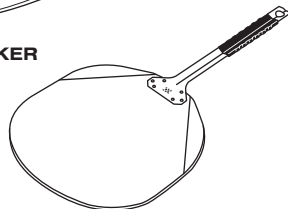
LIVE-FIRE PIZZA OVEN



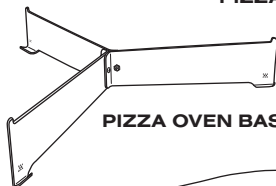
X SERIES 24 FIRE PIT  
WITH BREO BASE



PIZZA ROCKER



PIZZA PEEL



PIZZA OVEN BASE



PIZZA OVEN COVER

## BECOME A PIZZA PRO

### QUICK START GUIDE

Follow this quick start guide to learn the basics as you start your journey to becoming a pizza pro. The primal and analog nature of live-fire cooking is part of what makes it challenging, as well as rewarding. So don't be discouraged if your first pizza isn't perfect, you'll keep improving the more pizzas you get under your belt. And if you do enough you might need a bigger belt.

→ [Watch the quick start guide video](#)



## WARRANTY

Breco, LLC warrants to the original purchaser that the Breco Fire Pits and Accessories are free from workmanship and material defects during the lifetime of the original purchaser. In addition Breco, LLC warrants no rust through or burn through for a period of five (5) years from purchase. If a product is covered by this limited warranty, Breco, LLC, at its option, will repair or replace with a new product free of charge, excluding any applicable shipping and handling charges. If the product being warranted has been discontinued, the replacement product will be of equal or similar value. Altering any Breco product, or using the product in any way other than the intended use, will void this Lifetime Warranty. Except as provided above, no warranty is offered on rust, paint or finishes due to being made with material with potential for corrosion. Steel products will develop a natural iron oxide patina over time.

Breco, LLC's liability and obligation is limited to repair or replacement of the product, at their option. The purchaser must provide Breco, LLC with photos of the product's defects for evaluation. Upon approval of warranty, Breco, LLC will issue a return for repair, or return for exchange of the defective product.

This warranty does not cover damage or product failure caused by normal wear and tear, accident, misuse, negligence, tampering, modifications, act of war, overloading, improper attachment, improper maintenance, or failure to maintain. Breco, LLC is held harmless for any injury or death caused by the misuse of this product. This warranty does not cover damage caused by proper or improper use of our products to any surrounding surfaces, structures, or furnishings. This includes, but is not limited to, discoloration or damage to a patio or deck surface, furniture, house, or any other structure.

This warranty gives you specific legal rights providing said product is put to its proper designated use. THIS WARRANTY IS EXPRESSLY IN LIEU OF ALL OTHER WARRANTIES, EXPRESS OR IMPLIED, INCLUDING THE WARRANTY OF MERCHANTABILITY AND FITNESS FOR A PARTICULAR PURPOSE. NO ORAL AGREEMENT, GUARANTEE, PROMISE, REPRESENTATION OR WARRANTY SHALL BE BINDING. IN NO EVENT WILL BRECO, LLC BE LIABLE FOR ANY SPECIAL, INDIRECT, INCIDENTAL OR CONSEQUENTIAL DAMAGES EVEN IF BRECO, LLC HAS BEEN ADVISED OF THE POSSIBILITY OF SUCH DAMAGES AND EVEN IF BRECO, LLC HAS KNOWLEDGE THAT FAILURE TO PERFORM COULD CAUSE CONSEQUENTIAL ECONOMIC LOSSES. IN ANY EVENT, CUMULATIVE DAMAGES FOR BREACH OF THIS WARRANTY WILL BE LIMITED TO THE AMOUNT ACTUALLY PAID TO BRECO, LLC FOR THE PRODUCT. THIS PARAGRAPH SHALL APPLY TO ALL ACTIONS RELATED TO THE PRODUCT, WHETHER BASED ON TORT, CONTRACT OR OTHER THEORIES. THE PURCHASER ACKNOWLEDGES THAT THIS PARAGRAPH ALLOCATES THE RISK OF PRODUCT FAILURE BETWEEN BRECO, LLC AND THE PURCHASER, AND THAT THIS ALLOCATION IS REFLECTED IN THE PRICE PAID.

## EARN POINTS & ENJOY MEMBERSHIP BENEFITS

### BECOME A FIREMASTER

- 1 SIGN UP**  
Create an account and earn points.  
[breco.com/pages/rewards](https://breco.com/pages/rewards)
- 2 EARN POINTS**  
Every time you shop.
- 3 REDEEM POINTS**  
For exclusive discounts and products.



**BRECO.COM**

**(800) 413-9848**

**CONTACT@BREO.LLC.COM**

©2024 Breco LLC. All rights reserved. 01/24

**SHARE & TAG  
US ON SOCIAL**



**@BRECO**