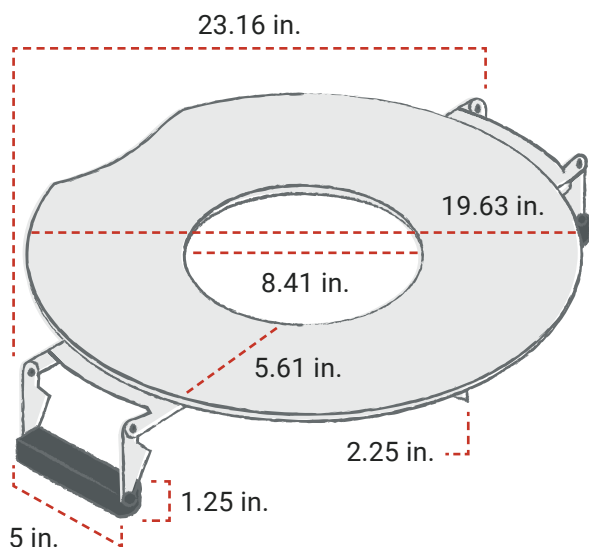


X SERIES 19 SEARPLATE™ GRIDDLE

SEARPLATE GRIDDLE SPECIFICATIONS

SKU: BR-SP19-STRO



FLAT COOKING SURFACE THAT HOLDS HEAT EVENLY

MATERIAL:

SearPlate Griddle:

Carbon Steel

Tabs:

Stainless Steel

Handle Grip:

Pakka Wood

DIMENSIONS:

Inside Diameter: 8.41 in.

Total Diameter: 19.63 in.

Rim Width Flange: 5.61 in.

Total Width: 23.16 in.

(Including Handle Brackets)

Tab Height: 2.25 in.

Handle Length: 5 in.

Handle Width: 1.25 in.

Total Weight: 22.5 lbs.



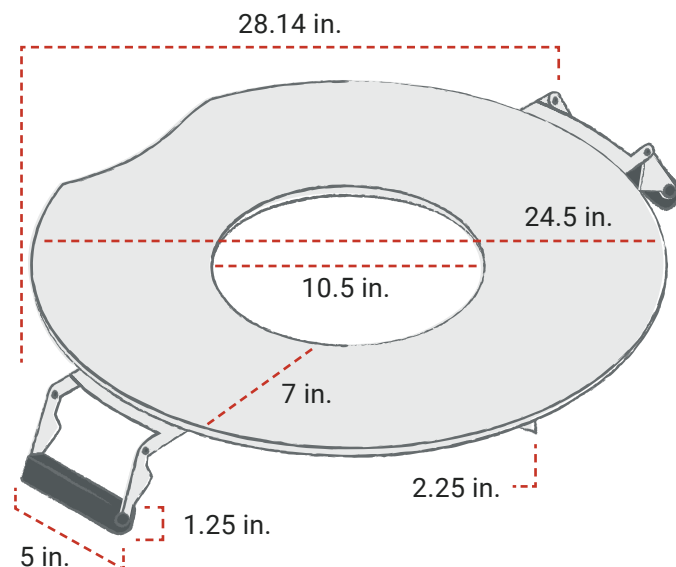
WWW.BREEO.CO



X SERIES 24 SEARPLATE™ GRIDDLE

SEARPLATE GRIDDLE SPECIFICATIONS

SKU: BR-SP24-STRO



FLAT COOKING SURFACE THAT HOLDS HEAT EVENLY

MATERIAL:

SearPlate Griddle:

Carbon Steel

Tabs:

Stainless Steel

Handle Grip:

Pakka Wood

DIMENSIONS:

Inside Diameter: 10.5 in.

Total Diameter: 24.5 in.

Rim Width Flange: 7 in.

Total Width: 28.14 in.

(Including Handle Brackets)

Tab Height: 2.25 in.

Handle Length: 5 in.

Handle Width: 1.25 in.

Total Weight: 33.5 lbs.



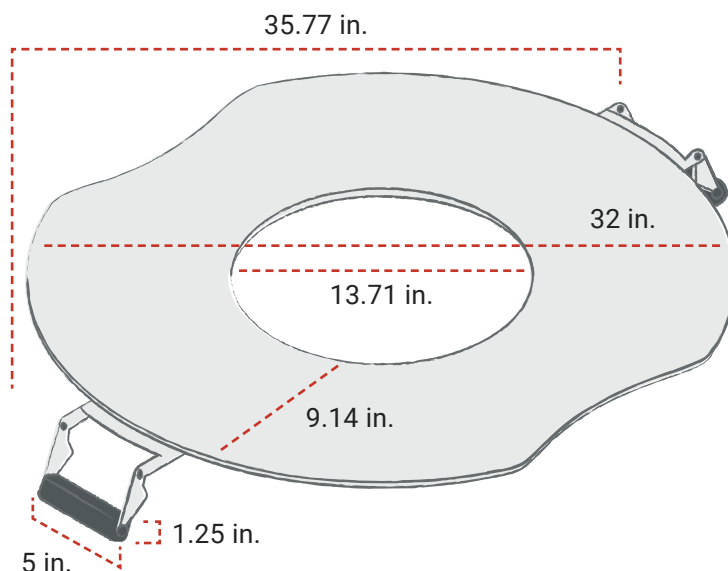
WWW.BREEO.CO



X SERIES 30 SEARPLATE™ GRIDDLE

SEARPLATE GRIDDLE SPECIFICATIONS

SKU: BR-SP30-STRO



FLAT COOKING SURFACE THAT HOLDS HEAT EVENLY

MATERIAL:

SearPlate Griddle:

Carbon Steel

Tabs:

Stainless Steel

Handle Grip:

Pakka Wood

DIMENSIONS:

Inside Diameter: 13.71 in.

Total Diameter: 32 in.

Rim Width Flange: 9.14 in.

Total Width: 35.77 in.

(Including Handle Brackets)

Tab Height: 2.25 in.

Handle Length: 5 in.

Handle Width: 1.25 in.

Total Weight: 48.85 lbs.



WWW.BREEO.CO

