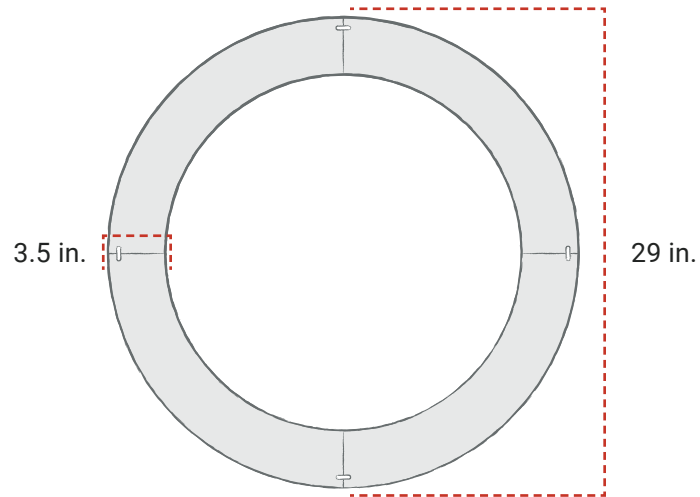


# PIZZA OVEN ADAPTER X30

## X30 ADAPTER SPECIFICATIONS

SKU: BR-PI-ADX3



SECURELY MOUNT THE BREEO PIZZA OVEN ON X30 FIRE PIT

### UNIT:

#### Material:

304 Stainless steel

Weight: 10.5 lbs.

### DIMENSIONS:

Diameter: 29 in.

Width: 3.5 in.



[BREEO.COM](https://www.breeo.com)

© 2023 Breeo LLC. All rights reserved. 12/23

