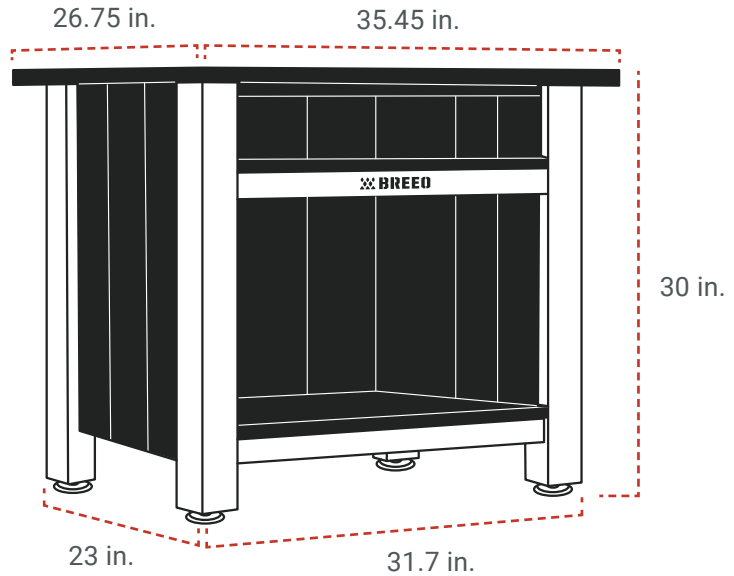


X SERIES TABLE

SPECIFICATIONS

SKU: BR-XS-TA2



PREP OR SERVING SURFACE WITH WOOD STORAGE

UNIT:

Material:

Poly Lumber

HDPE

Stainless Steel Accents

Weight: 115 lbs.

DIMENSIONS:

Table Base Width: 31.7 in.

Table Base Depth: 23 in.

Tabletop Width: 35.45 in.

Tabletop Depth: 26.75 in.

Total Height: 30 in.

COMPATIBILITY:

OutRig accessories



BREEO.COM

©2024 Breoo LLC. All rights reserved. 09/24

