



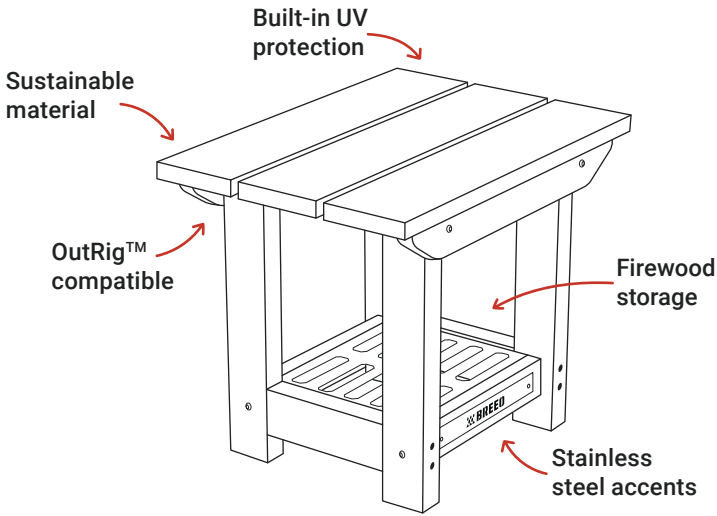
USER GUIDE



X SERIES SIDE TABLE

FUNCTIONAL FIRESIDE FURNITURE

Upgrade your outdoor space with the X Series Side Table, crafted to complement your Breeo Fire Pit with unmatched style and durability. Available in Black, Gray, White, and Antique Mahogany, it is designed to integrate seamlessly with your existing X Series furniture, enhancing both the functionality and aesthetics of your outdoor gatherings.



FEATURES

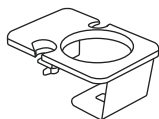
UNIFORM AESTHETIC: Matches existing X Series furniture in style and color, perfect for creating a cohesive outdoor setting.

ENHANCED DURABILITY: Constructed with high-quality poly lumber and stainless steel, designed to withstand the elements and frequent use.

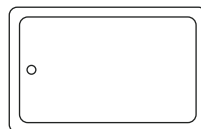
MULTI-FUNCTIONAL DESIGN: Serve multiple purposes, from convenient surface space to room to store split firewood, enhancing the utility of your outdoor areas.

OUTRIG COMPATIBILITY: Like our other X Series products, the new furniture is compatible with OutRig® accessories, adding versatility to your setup.

**OutRig Tri-Hook not compatible*



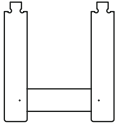
OutRig Cupholder



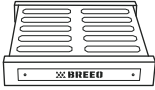
OutRig Tray

ASSEMBLY INSTRUCTIONS

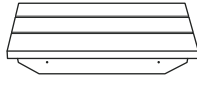
PARTS INCLUDED



Legs x2



Lower Shelf x1



Upper Table x1



2.5 in. Button
Head Screws x8



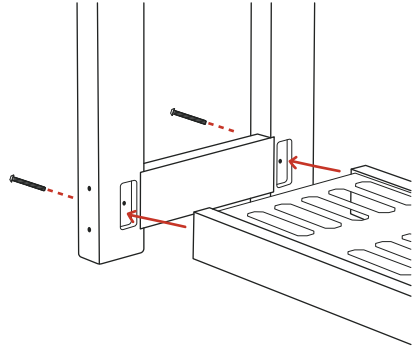
Hex Key x1

1 ATTACH THE SHELF TO THE LEGS

Insert the lower shelf support bars into the 2 matching slots on one of the legs. Make sure the Breo logo is facing up.

Screw 2 button head screws into the holes on the side of the legs. Insert 2 screws into the holes. Use the hex key to tighten until snug, making sure not to over-tighten or cross-thread the screws.

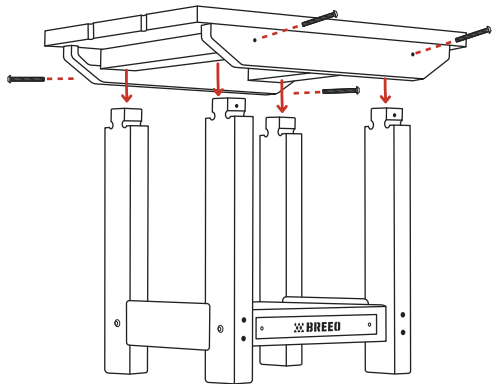
Repeat for the other side.



2 ATTACH THE UPPER TABLE

Place the upper table onto the tops of the assembled legs. Insert the leg tops into the bottom holes of the upper table.

Screw 4 button head screws on the outside of the upper table and tighten into the leg inserts.



PLEASE NOTE:

To prevent cross-threading the screws, start every screw by hand till it turns freely and smoothly in the thread. Then use the hex key to tighten down.

USE & CARE

For a quick clean, add dish soap and warm water to a bucket and wipe any dirt off the surface of the Side Table, rinse with clean water, and let it air dry.

The recommended split firewood length is 15-18 inches to store under the Side Table.

WARNING

Do not sit or stand on the X Series Side Table for risk of falling or injury.

⚠️ WARNING: This product can expose you to nickel, which is known to the State of California to cause cancer and birth defects or reproductive harm. For more information go to www.p65warnings.ca.gov



WARRANTY

Breco X Series® Limited Furniture Warranty

THIS LIMITED WARRANTY GIVES YOU SPECIFIC LEGAL RIGHTS AND YOU MAY ALSO HAVE OTHER RIGHTS, WHICH VARY FROM STATE TO STATE. What does this Limited Warranty cover? Breco, LLC (hereinafter "BRECO") warranties to the original purchaser ("Purchaser") that, for a period of twenty (20) years (except as specified below) of residential use from the date of purchase, under normal use and service conditions, BRECO X Series® furniture (the "product") shall be free from material defects, and shall not splinter, crack, chip, peel, or rot, or suffer structural damage from insect infestation. This warranty does not extend to any subsequent owner or other transferee of the product.

304 Stainless Steel Frames & Accessories. Welds and joints are warranted to not break or crack for five (5) years of residential use. Hardware. Hardware used in production or assembly of Breco X Series furniture is warranted to not break for five (5) years of residential use.

Making a Claim. To make a claim under this limited warranty, Purchaser shall send to BRECO, within the warranty period referred to above, (1) a description of the BRECO X Series® furniture and claimed defect, (2) proof of purchase (including the serial number for the product), and (3) photographs of the defect to the following address: 5002 Lincoln Hwy E. Attn: Warranty Claims Kinzers, PA 17535. If a product is covered by this limited warranty, BRECO, at its option, will repair or replace the product with a new product free of charge, excluding any applicable shipping and handling charges. If the product being warranted has been discontinued, the replacement product will be of equal or similar value.

Exclusions from the Limited Warranty. The following items are specifically excluded from this Limited Warranty: BRECO shall not be liable for any failure, defect or damage resulting from or connected with the following: • Fading, color change or color match. To minimize possible fading: keep product covered, utilize cushions where applicable, minimize direct sunlight by storing product when not in use, or use a UV-protectant • Color or pattern variance between any new replacement section or pieces and other sections or pieces • Rust or corrosion of stainless steel or zinc coated steel hardware (please see Cleaning/Maintenance information for details on how to maintain your hardware) • Damage caused by, among other things, use of incompatible accessories, intentional acts, unreasonable use, misuse, physical abuse, permanent deformation or destruction by human or animal, vandalism, riot, insurrection or civil disorder, accidents or corrosive atmospheres (such as those contaminated by acid rain, harmful chemicals or vapors), or any act of God (such as fire, flooding, hurricane, earthquake, tornado, lightning). We reserve the right to discontinue or modify any product line or color without notifying the Purchaser. If the original product is not available, we retain the right to choose to provide replacement material of equal value or quality. No person or entity is authorized by BRECO to make and BRECO shall not be bound by any statement or representation as to the quality or performance of BRECO products other than as contained in this warranty. This warranty may not be altered or amended except in a written instrument signed by BRECO and Purchaser. Proper maintenance of your product is required to support the benefits of this warranty. This warranty is voided in the event that there are indications of abuse or neglect to the furniture. This warranty does not apply to normal wear and tear effects on BRECO products, which are received by regular use of the products.

This warranty is effective for products purchased on or after 4/1/2022.

THIS WARRANTY IS EXPRESSLY IN LIEU OF ALL OTHER WARRANTIES, EXPRESS OR IMPLIED, INCLUDING THE WARRANTY OF MERCHANTABILITY AND FITNESS FOR A PARTICULAR PURPOSE. NO ORAL AGREEMENT, GUARANTEE, PROMISE, REPRESENTATION OR WARRANTY SHALL BE BINDING. IN NO EVENT WILL BRECO BE LIABLE FOR ANY SPECIAL, INDIRECT, INCIDENTAL OR CONSEQUENTIAL DAMAGES EVEN IF BRECO HAS BEEN ADVISED OF THE POSSIBILITY OF SUCH DAMAGES AND EVEN IF BRECO HAS KNOWLEDGE THAT FAILURE TO PERFORM COULD CAUSE CONSEQUENTIAL ECONOMIC LOSSES. IN ANY EVENT, CUMULATIVE DAMAGES FOR BREACH OF THIS WARRANTY WILL BE LIMITED TO THE AMOUNT ACTUALLY PAID TO BRECO FOR THE PRODUCT. THIS PARAGRAPH SHALL APPLY TO ALL ACTIONS RELATED TO THE PRODUCT, WHETHER BASED ON TORT, CONTRACT OR OTHER THEORIES. THE PURCHASER ACKNOWLEDGES THAT THIS PARAGRAPH ALLOCATES THE RISK OF PRODUCT FAILURE BETWEEN BRECO AND THE PURCHASER, AND THAT THIS ALLOCATION IS REFLECTED IN THE PRICE PAID. Some states do not allow the exclusions or limitations of incidental or consequential damages, so the above limitations or exclusions may not apply to you. This warranty gives you specific legal rights, and you may also have other rights that vary from state to state. This warranty shall only be applicable and enforceable in the United States of America and Canada.

EARN POINTS & ENJOY MEMBERSHIP BENEFITS

BECOME A FIREMASTER

- 1 SIGN UP**
Create an account and earn points.
breco.com/pages/rewards
- 2 EARN POINTS**
Every time you shop.
- 3 REDEEM POINTS**
For exclusive discounts and products.



BRECO.COM

(800) 413-9848

CONTACT@BRECO.COM

©2024 Breco LLC. All rights reserved. 09/24

**SHARE & TAG
US ON SOCIAL**



@BRECO