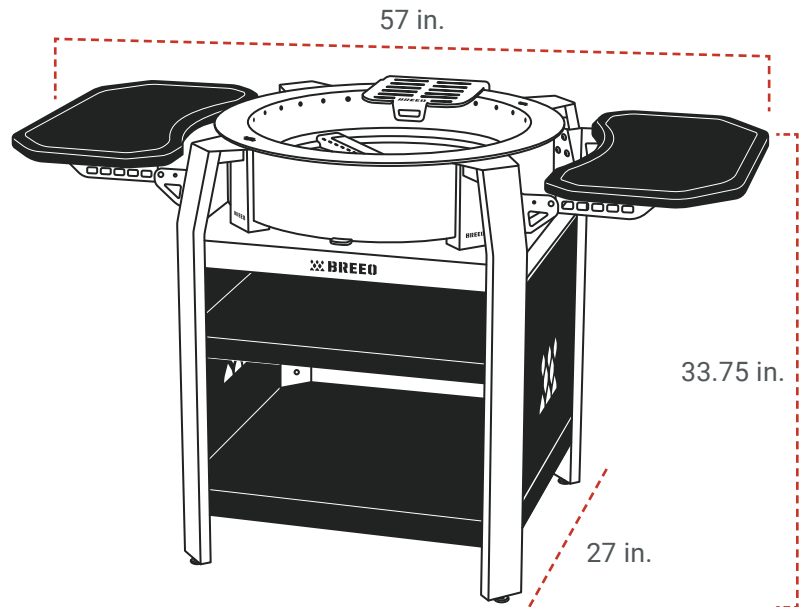


# LIVE-FIRE GRILL

## SPECIFICATIONS

SKU: BR-BGSR



OPTIMIZED FOR CHARCOAL & WOOD

### UNIT:

#### Material:

Stainless Steel  
Powder Coated Steel  
HDPE

**Weight:** 125 lbs.

**Included:** Skillet Rest

Designed in Lancaster, PA.  
Produced with a Trusted  
Partner Overseas.

### DIMENSIONS:

**Fire Tray Diameter:** 27.5 in.

**Fire Tray Height:** 7 in.

**Folding Tray Length:** 25.25 in.

**Folding Tray Width:** 14 in.

**Folding Tray Height:** 1 in.

**Grill Stand Length:** 27 in.

**Grill Stand Width:** 27 in.

**Grill Stand Height:** 33.75 in.

**Total Width:** 57 in.

### COMPATIBILITY:

X Series 24 accessories

Live-Fire Pizza Oven 24

Flat Top 19 & 24

SearPlate 24 Griddle

Outpost accessories

OutRig accessories



**BRECO.COM**

©2024 Breco LLC. All rights reserved. 09/24