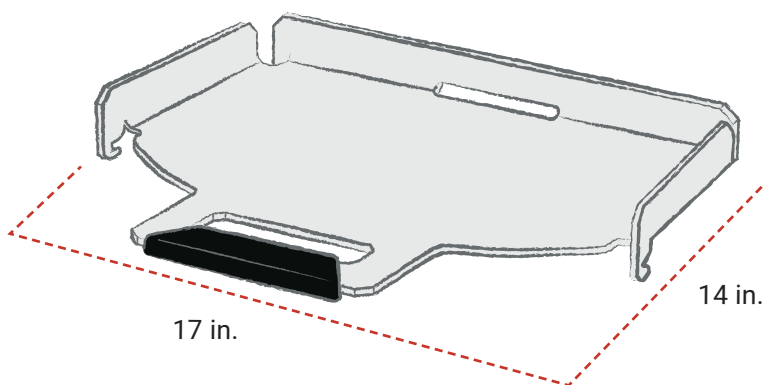


FLAT TOP 19

FLAT TOP 19 SPECIFICATIONS

SKU: BR-YSGE



COMPATIBLE WITH Y SERIES & X SERIES 19 FIRE PITs

MATERIAL:

Flat Top:

3/16 in. Carbon Steel

Handle Grip:

Silicone

DIMENSIONS:

Flat Top Width: 17 in.

Flat Top Depth: 14 in.

Side Wall Height: 2.25 in.

Total Weight: 11 lbs.



[BREEO.COM](https://www.breeo.com)

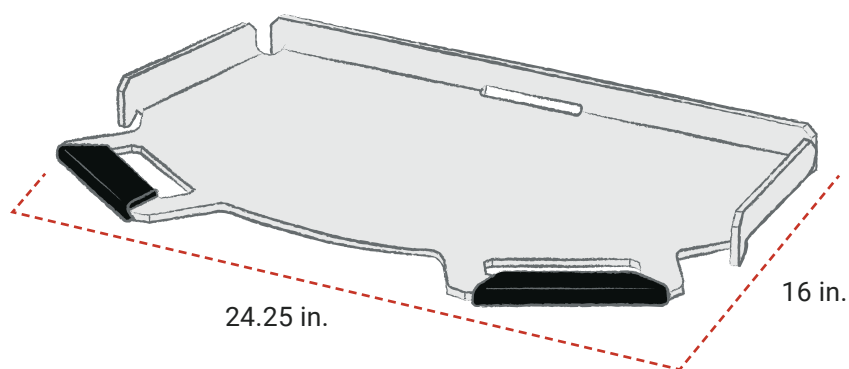
©2024 Breeo LLC. All rights reserved. 05/24



FLAT TOP 24

FLAT TOP 24 SPECIFICATIONS

SKU: BR-24GE



COMPATIBLE WITH X SERIES 24 FIRE PITs

MATERIAL:

Flat Top:

1/4 in. Carbon Steel

Handle Grips:

Silicone

DIMENSIONS:

Flat Top Width: 24.25 in.

Flat Top Depth: 16 in.

Side Wall Height: 1.75 in.

Total Weight: 26 lbs.



BRECO.COM

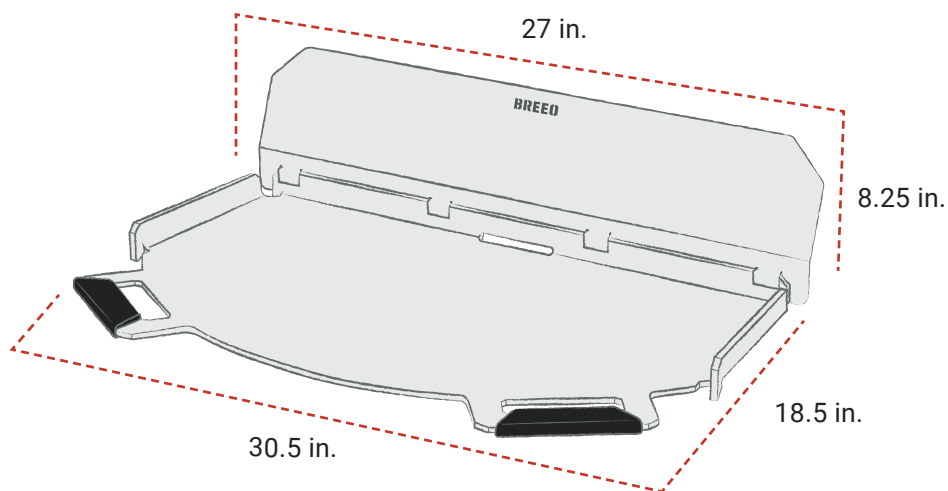
©2024 Breco LLC. All rights reserved. 05/24



FLAT TOP 30

FLAT TOP 30 SPECIFICATIONS

SKU: BR-30GE



COMPATIBLE WITH X SERIES 30 FIRE PITS

MATERIAL:

Flat Top:

1/4 in. Carbon Steel

Heat Shield:

304 Stainless Steel

Handle Grips:

Silicone

DIMENSIONS:

Flat Top Width: 30.5 in.

Flat Top Depth: 18.5 in.

Side Wall Height: 1.75 in.

Heat Shield Height: 8.25 in.

Heat Shield Width: 27 in.

Total Weight: 37 lbs.



[BREEO.COM](https://www.breeco.com)

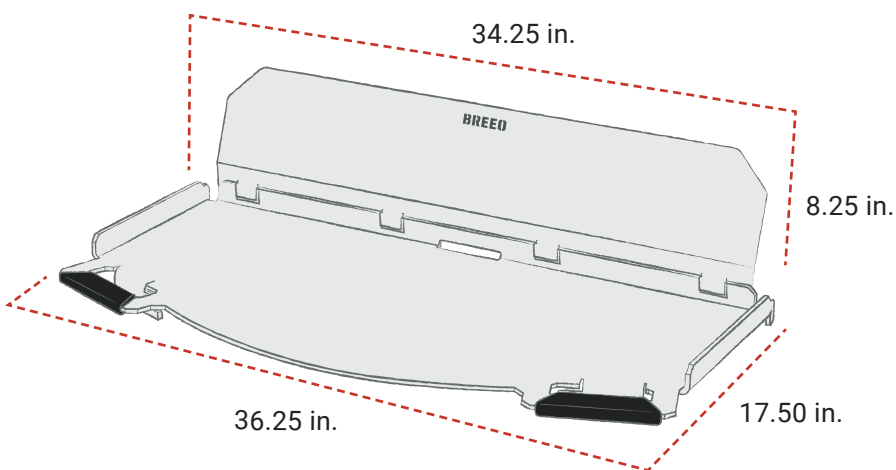
©2024 Breeco LLC. All rights reserved. 05/24



FLAT TOP 42

FLAT TOP 42 SPECIFICATIONS

SKU: BR-XLGE



COMPATIBLE WITH X SERIES 42 FIRE PITS

MATERIAL:

Flat Top:

1/4 in. Carbon Steel

Heat Shield:

304 Stainless Steel

Handle Grips:

Silicone

DIMENSIONS:

Flat Top Width: 36.25 in.

Flat Top Depth: 17.50 in.

Side Wall Height: 3 in.

Heat Shield Height: 8.25 in.

Heat Shield Width: 34.25 in.

Heat Shield Weight: 4 lbs.

Total Weight: 43 lbs.



BREEO.COM

©2024 Breoo LLC. All rights reserved. 05/24

