



BREED®

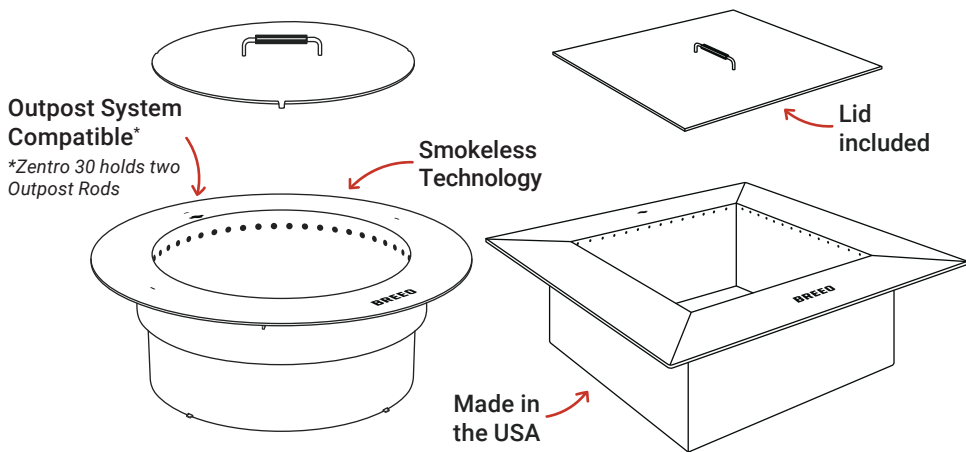
**USER
GUIDE**

**ZENTRO®
FIRE PIT**

STAINLESS 24, 30 ROUND & 24 SQUARE

DESIGNED FOR THE PATIO ENTHUSIAST

The Zentro Smokeless Fire Pit accommodates most block, stone, or concrete backyard fire pit surrounds. Transform your smoky backyard fire into a beautiful, smokeless, wood-burning centerpiece in less than a minute with no assembly required. Add the optional grilling accessories to your fire pit, cook a mouth-watering over-the-fire dish, remove, and settle in for a relaxing evening around your smokeless fire.



FEATURES

SMOKELESS TECHNOLOGY: With its double wall construction and secondary combustion, the Zentro Fire Pit brings all the heat without the smoke, creating longer nights around the fire. Added spacer brackets under the flange ensure maximum airflow.

BUILT TO LAST: We build all our fire pits right here in Lancaster, PA. Made with heavy gauge 304 stainless steel, our fire pits will last a lifetime and they've got the warranty to prove it.

LID INCLUDED: Keep your fire pit protected from the elements when you aren't burning.

SURROUND: Slides easily into a new or existing block, stone surround, or masonry pit.

LIVE-FIRE COOKING: Become the ultimate live-fire chef when you accessorize your Zentro with our premium attachments and tools. Compatible with all the Outpost accessories. The Zentro 30 Round can hold two Outpost Rods.

SETTING UP

1 BLOCK SURROUND

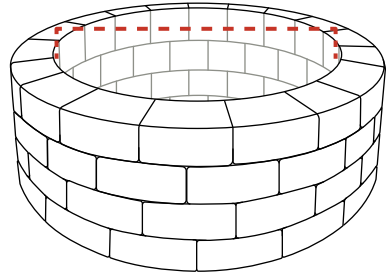
Measure the inside diameter of your block surround to ensure it will fit your Zentro 24 or 30 Fire Pit.

ROUND INSIDE DIAMETER

Zentro 24 | Zentro 30
26-32 in. | 32-40 in.

SQUARE INSIDE DIAMETER

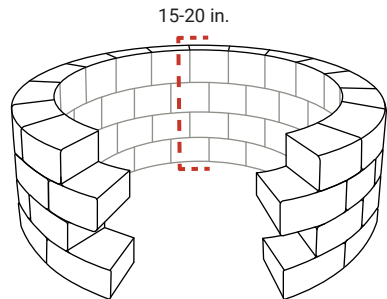
Zentro 24
27-33 in.



2 SET UP SURROUND

The minimum recommended depth of your block fire surround is 15 inches; this provides 3 inches of air space underneath the fire pit insert for airflow.

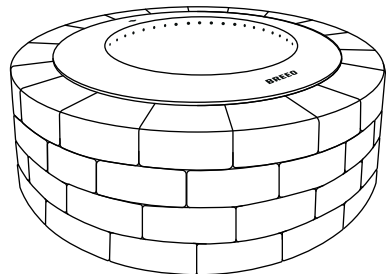
For additional protection, add 3-5 inches of depth to the surround and place a small layer of gravel or sand at the bottom of the stone surround before inserting the fire pit. Ensure that nothing touches the bottom or the sides of your Zentro Fire Pit, as this will affect airflow and interfere with the smokeless technology. Remove any debris or ashes from inside the block fire surround if necessary.



3 PLACE ZENTRO

Remove your fire pit from the box. *We recommend 2-3 people lift for placement.*

Set the fire pit into the block fire surround. The Zentro Fire Pit has spacer brackets welded to the underside of the top flange. Ensure that the Zentro spacer brackets are resting on the top layer of the block fire surround.



TENDING

Every component on your new Breeo Zentro Smokeless Fire Pit is built to last. You can leave your Zentro Fire Pit out in the elements year-round without worry and with minimal care. But of course, the more you use your Zentro Fire Pit, the more ash will build up in the bottom. From time to time, you'll want to scoop out debris to keep your fire pit performing at its best. ***And remember: always remove the ashes from your Zentro Fire Pit before long-term storage.***

STAINLESS STEEL

We use grade 304 stainless steel for rugged good looks and ultra-low maintenance. But occasionally, you might want to clean the stainless steel components of your Zentro. We recommend your favorite stainless steel cleaner and a soft cloth.



WARNING

The Zentro Smokeless Fire Pit is designed for outdoor use only. **Never use your Zentro Fire Pit in a building, garage, or any enclosed area.** The Zentro generates a tremendous amount of heat, so keep at least 10 feet of clearance above the pit from branches or overhangs.

Always use your Zentro Fire Pit on a level, non-combustible surface such as rock, stone, or dirt.

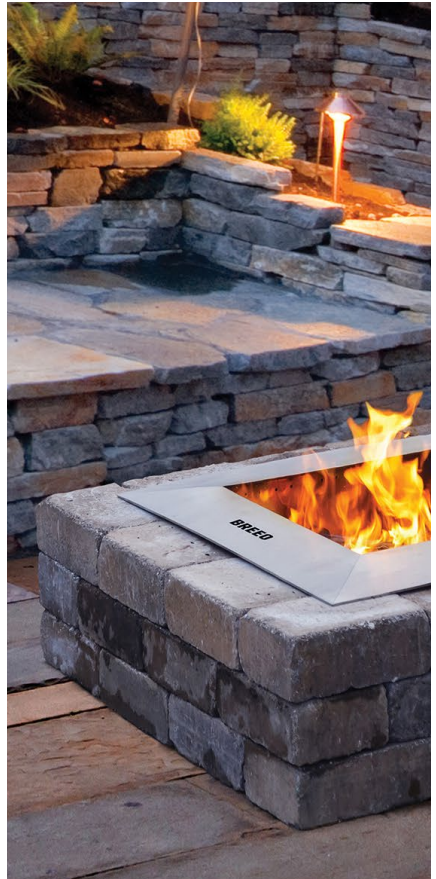
Never use your Zentro Fire Pit on wooden or composite decks, stamped concrete or any heat sensitive surface. These pits radiate intense heat that can damage or burn improperly protected surfaces.

Do not attempt to move or store your Zentro Fire Pit until all ashes and coals are completely extinguished and all surfaces have cooled completely. Never touch ashes or coals to see if they are hot. Do not pour water into your Zentro to extinguish flames, rather allow all your fires to die down naturally.

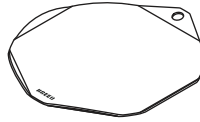
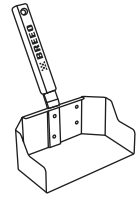
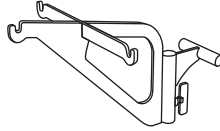
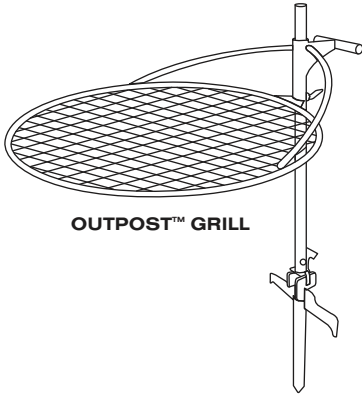
All surfaces of the Zentro Fire Pit will become extremely hot when in use. To avoid burns, don't touch any part of the fire pit until it's completely cool (unless you're using protective gear like heat-resistant gloves, hot pads, potholders, etc.).

Exercise the same caution you would with any open fire. When using your Zentro Fire Pit, **never leave it unattended, especially around children and pets.**

⚠ WARNING: This product can expose you to nickel, which is known to the State of California to cause cancer and birth defects or reproductive harm. For more information go to www.p65warnings.ca.gov



COMPLETE YOUR ZENTRO SETUP



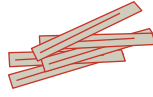
BUILDING A FIRE

1 CHOOSE YOUR FUEL

Select a firestarter material, like shredded newspaper or cardboard, a dry, thinly split softwood for kindling, and a dry, split hardwood for your main fuel. Make sure your fuel is less than 4" in diameter. *Focus on creating as much airflow as possible throughout the whole fire building process.*

Newspaper

Cardboard



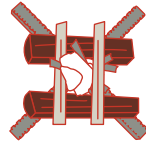
Thinly split softwood



Dry split hardwood

2 BUILD A LOG CABIN

Start with 2 full-size pieces of cordwood and lay them caddy-corner on the X Airflow® system across from each other. Then, lay two pieces of kindling perpendicular across those. Fill the inside square with your firestarter. Continue with the pattern in kindling until it approaches the top of your fire pit, filling the center with firestarter as you go, if you're using newspaper or cardboard. If you're using another type of firestarter, you can place it in the middle when you start building, but there's no need to fill the whole structure with it. Taper the "cabin" inward as you get close to the top.



Build a log cabin from the center

3 LIGHT IT UP

Using a grill lighter or a long match, light the firestarter at the bottom of the log cabin. *We do NOT recommend using regular matches, as they can be harder to use when you're reaching into the fire pit.*



Start the fire with a grill lighter or long match

4 FEED THE FLAMES

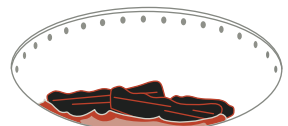
Once you've got a tiny blaze going, start adding cordwood without disrupting or knocking over the kindling cabin. Starting with smaller cordwood pieces and gradually using larger ones as the fire grows, lay the pieces toward the perimeter of the bottom of the fire pit. This will help your fire spread evenly around your fire pit.



Add firewood to keep the fire smokeless

5 LET IT BURN OUT

When you're done with your fire, patiently wait for the fire to burn out on its own. *Don't pour water on it, and never leave your fire unattended.* If you do need to walk away, always cover with a spark screen and make sure there's nothing near the fire pit that could catch on fire or be damaged. Clean out the ashes every 4-5 burns once the fire pit cools to maintain airflow and always have a smokeless fire.



Let the fire naturally burn out

WARRANTY

Breco, LLC warrants to the original purchaser that the Breco Fire Pits and Accessories are free from workmanship and material defects during the lifetime of the original purchaser. In addition Breco, LLC warrants no rust through or burn through for a period of five (5) years from purchase. If a product is covered by this limited warranty, Breco, LLC, at its option, will repair or replace with a new product free of charge, excluding any applicable shipping and handling charges. If the product being warranted has been discontinued, the replacement product will be of equal or similar value. Altering any Breco product, or using the product in any way other than the intended use, will void this Lifetime Warranty. Except as provided above, no warranty is offered on rust, paint or finishes due to being made with material with potential for corrosion. Steel products will develop a natural iron oxide patina over time.

Breco, LLC's liability and obligation is limited to repair or replacement of the product, at their option. The purchaser must provide Breco, LLC with photos of the product's defects for evaluation. Upon approval of warranty, Breco, LLC will issue a return for repair, or return for exchange of the defective product.

This warranty does not cover damage or product failure caused by normal wear and tear, accident, misuse, negligence, tampering, modifications, act of war, overloading, improper attachment, improper maintenance, or failure to maintain. Breco, LLC is held harmless for any injury or death caused by the misuse of this product. This warranty does not cover damage caused by proper or improper use of our products to any surrounding surfaces, structures, or furnishings. This includes, but is not limited to, discoloration or damage to a patio or deck surface, furniture, house, or any other structure.

This warranty gives you specific legal rights providing said product is put to its proper designated use. THIS WARRANTY IS EXPRESSLY IN LIEU OF ALL OTHER WARRANTIES, EXPRESS OR IMPLIED, INCLUDING THE WARRANTY OF MERCHANTABILITY AND FITNESS FOR A PARTICULAR PURPOSE. NO ORAL AGREEMENT, GUARANTEE, PROMISE, REPRESENTATION OR WARRANTY SHALL BE BINDING. IN NO EVENT WILL BRECO, LLC BE LIABLE FOR ANY SPECIAL, INDIRECT, INCIDENTAL OR CONSEQUENTIAL DAMAGES EVEN IF BRECO, LLC HAS BEEN ADVISED OF THE POSSIBILITY OF SUCH DAMAGES AND EVEN IF BRECO, LLC HAS KNOWLEDGE THAT FAILURE TO PERFORM COULD CAUSE CONSEQUENTIAL ECONOMIC LOSSES. IN ANY EVENT, CUMULATIVE DAMAGES FOR BREACH OF THIS WARRANTY WILL BE LIMITED TO THE AMOUNT ACTUALLY PAID TO BRECO, LLC FOR THE PRODUCT. THIS PARAGRAPH SHALL APPLY TO ALL ACTIONS RELATED TO THE PRODUCT, WHETHER BASED ON TORT, CONTRACT OR OTHER THEORIES. THE PURCHASER ACKNOWLEDGES THAT THIS PARAGRAPH ALLOCATES THE RISK OF PRODUCT FAILURE BETWEEN BRECO, LLC AND THE PURCHASER, AND THAT THIS ALLOCATION IS REFLECTED IN THE PRICE PAID.

EARN POINTS & ENJOY MEMBERSHIP BENEFITS

BECOME A FIREMASTER

- 1 SIGN UP**
Create an account and earn points.
breco.com/pages/rewards
- 2 EARN POINTS**
Every time you shop.
- 3 REDEEM POINTS**
For exclusive discounts and products.



BRECO.COM

(800) 413-9848

CONTACT@BRECO.COM

©2025 Breco LLC. All rights reserved. 04/25

**SHARE & TAG
US ON SOCIAL**



@BRECO