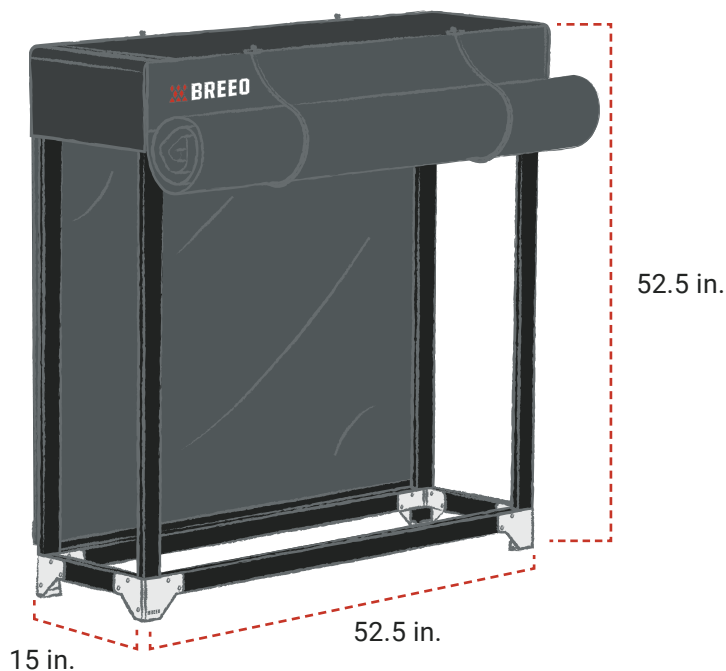


# FIREWOOD RACK

## RACK SPECIFICATIONS

SKU: BR-RX-RA



KEEP YOUR FIREWOOD DRY AND ORGANIZED THROUGH ALL SEASONS

### MATERIAL:

**Rack:** Black powder-coated steel tubing, Stainless steel footings

**Cover:** Water resistant PU coated canvas, Built-in magnets

Made in China

### DIMENSIONS:

**Total Width:** 52.5 in.

**Total Height:** 52.5 in.

**Total Depth:** 15 in.

**Weight:** 40 lbs.

### STORAGE:

**Capacity:** Half a face cord

**Firewood:** 15 in. or longer



[BREEO.COM](https://www.breeo.com)

© 2024 Breeo LLC. All rights reserved. 01/24