



BREED®

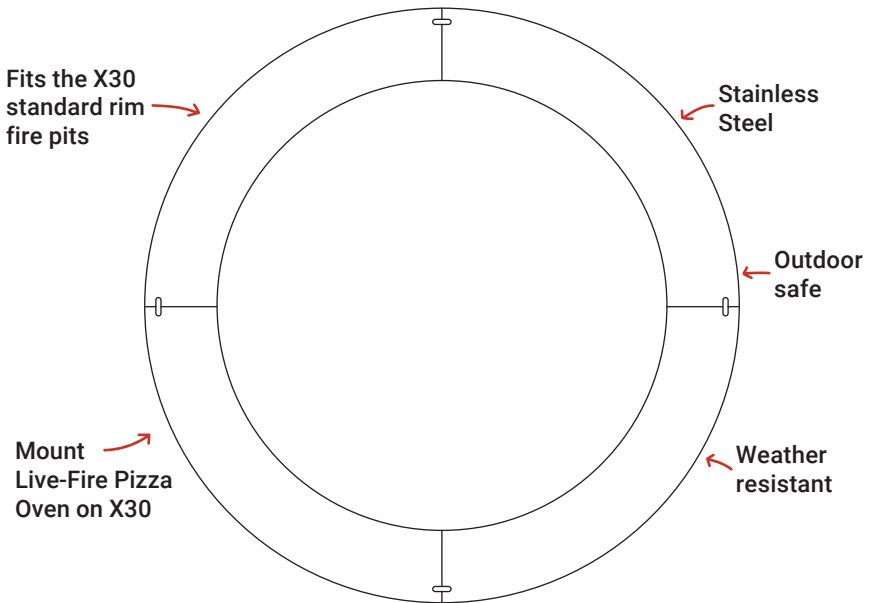
**USER
GUIDE**



**PIZZA OVEN
ADAPTER
X30**

INCREASE YOUR PIZZA OVEN COMPATIBILITY

When paired with the Live-Fire Pizza Oven, The X30 Adapter ring allows you to transform your Breeo X30 Fire Pit into a professional pizza making machine. Just place centered and flush on top of your fire pit rim and you are ready for the pizza oven. The X30 Adapter ring allows you to harness the heat source of an X30 Fire Pit and use it for cooking pizzas with ease.



FEATURES

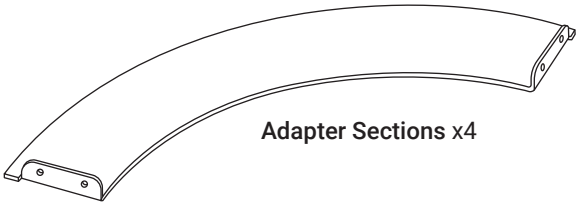
CONSTRUCTION: 304 stainless steel

BUILT TO LAST: Outdoor safe and weather resistant for all seasons

COMPATIBILITY: Fits the Breeo X Series® 30 standard rim fire pits

ASSEMBLY INSTRUCTIONS

PARTS INCLUDED



Bolts x8

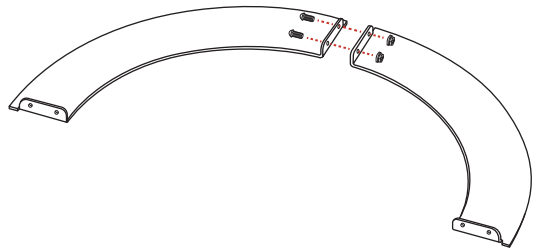


Nuts x8

1 ATTACH SECTIONS

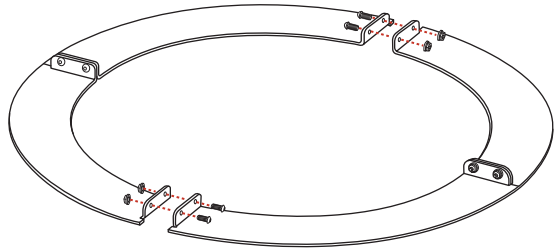
Place two Adapter ring sections with bent ends facing upward. Using two bolts and two nuts supplied, attach two pieces to one another.

Repeat with remaining two Adapter ring pieces.



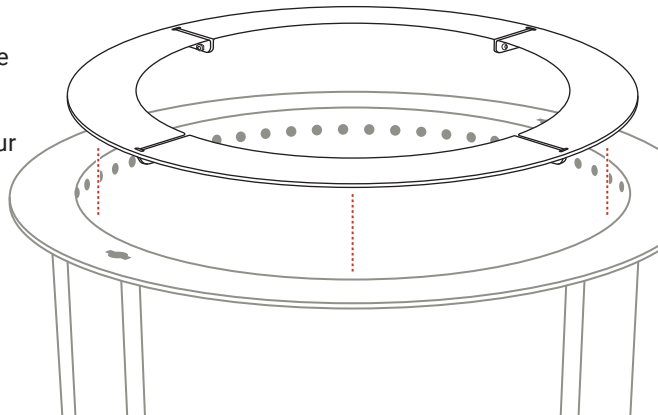
2 CONNECT HALVES

Attach the two halves to one another using the remaining four bolts and four nuts.



3 TIGHTEN

Tighten all nuts to ensure the Adapter ring lays flat and will create a secure mounting surface for your cooking accessories.



USE

1 ATTACH TO X30

Center the Adapter ring above the fire pit and set down on the interior of the fire pit rim. Notches on the underside of the Adapter ring allow it to be guided to the proper mounting position.



2 SET PIZZA OVEN

Once the Adapter is resting securely flush to the rim, the Pizza Oven can be mounted on top.



CARE

Weather resistant through all seasons. Clean with soap and hot water.

Barkeepers Friend or SOS pad can be used to remove more stubborn dirt.

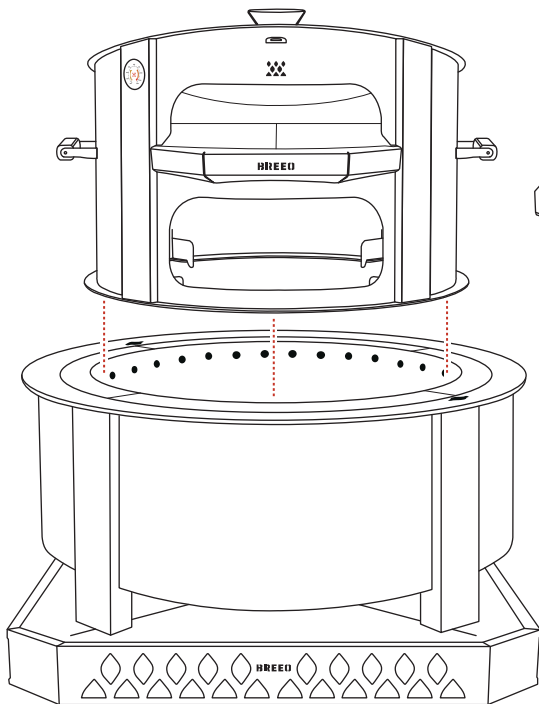
WARNING

Keep small bolts and nuts out of reach of children as they are a choking hazard. Always use heat-resistant gloves to grab or move a hot Adapter ring. Always use Adapter ring with Fire Pit on a flat surface.

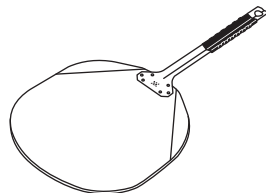


COMPLETE YOUR PIZZA OVEN SETUP

LIVE-FIRE PIZZA OVEN



X SERIES 30 FIRE PIT PAIRED WITH X30 ADAPTER WITH BREEO BASE



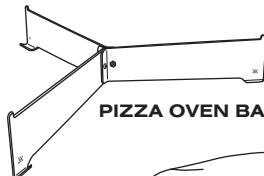
PIZZA PEEL



PIZZA ROCKER



SERVING BOARD



PIZZA OVEN BASE



PIZZA OVEN COVER

BECOME A PIZZA PRO

QUICK START GUIDE

Follow this quick start guide to learn the basics as you start your journey to becoming a pizza pro. The primal and analog nature of live-fire cooking is part of what makes it challenging, as well as rewarding. So don't be discouraged if your first pizza isn't perfect, you'll keep improving the more pizzas you get under your belt. And if you do enough you might need a bigger belt.

→ [Watch the quick start guide video](#)



WARRANTY

Breco, LLC warrants to the original purchaser that the Breco Fire Pits and Accessories are free from workmanship and material defects during the lifetime of the original purchaser. In addition Breco, LLC warrants no rust through or burn through for a period of five (5) years from purchase. If a product is covered by this limited warranty, Breco, LLC, at its option, will repair or replace with a new product free of charge, excluding any applicable shipping and handling charges. If the product being warranted has been discontinued, the replacement product will be of equal or similar value. Altering any Breco product, or using the product in any way other than the intended use, will void this Lifetime Warranty. Except as provided above, no warranty is offered on rust, paint or finishes due to being made with material with potential for corrosion. Steel products will develop a natural iron oxide patina over time.

Breco, LLC's liability and obligation is limited to repair or replacement of the product, at their option. The purchaser must provide Breco, LLC with photos of the product's defects for evaluation. Upon approval of warranty, Breco, LLC will issue a return for repair, or return for exchange of the defective product.

This warranty does not cover damage or product failure caused by normal wear and tear, accident, misuse, negligence, tampering, modifications, act of war, overloading, improper attachment, improper maintenance, or failure to maintain. Breco, LLC is held harmless for any injury or death caused by the misuse of this product. This warranty does not cover damage caused by proper or improper use of our products to any surrounding surfaces, structures, or furnishings. This includes, but is not limited to, discoloration or damage to a patio or deck surface, furniture, house, or any other structure.

This warranty gives you specific legal rights providing said product is put to its proper designated use. THIS WARRANTY IS EXPRESSLY IN LIEU OF ALL OTHER WARRANTIES, EXPRESS OR IMPLIED, INCLUDING THE WARRANTY OF MERCHANTABILITY AND FITNESS FOR A PARTICULAR PURPOSE. NO ORAL AGREEMENT, GUARANTEE, PROMISE, REPRESENTATION OR WARRANTY SHALL BE BINDING. IN NO EVENT WILL BRECO, LLC BE LIABLE FOR ANY SPECIAL, INDIRECT, INCIDENTAL OR CONSEQUENTIAL DAMAGES EVEN IF BRECO, LLC HAS BEEN ADVISED OF THE POSSIBILITY OF SUCH DAMAGES AND EVEN IF BRECO, LLC HAS KNOWLEDGE THAT FAILURE TO PERFORM COULD CAUSE CONSEQUENTIAL ECONOMIC LOSSES. IN ANY EVENT, CUMULATIVE DAMAGES FOR BREACH OF THIS WARRANTY WILL BE LIMITED TO THE AMOUNT ACTUALLY PAID TO BRECO, LLC FOR THE PRODUCT. THIS PARAGRAPH SHALL APPLY TO ALL ACTIONS RELATED TO THE PRODUCT, WHETHER BASED ON TORT, CONTRACT OR OTHER THEORIES. THE PURCHASER ACKNOWLEDGES THAT THIS PARAGRAPH ALLOCATES THE RISK OF PRODUCT FAILURE BETWEEN BRECO, LLC AND THE PURCHASER, AND THAT THIS ALLOCATION IS REFLECTED IN THE PRICE PAID.

EARN POINTS & ENJOY MEMBERSHIP BENEFITS

BECOME A FIREMASTER

- 1 SIGN UP**
Create an account and earn points.
breco.com/pages/rewards
- 2 EARN POINTS**
Every time you shop.
- 3 REDEEM POINTS**
For exclusive discounts and products.



BRECO.COM

(800) 413-9848

CONTACT@BREO.LLC.COM

©2024 Breco LLC. All rights reserved. 01/24

**SHARE & TAG
US ON SOCIAL**



@BRECO