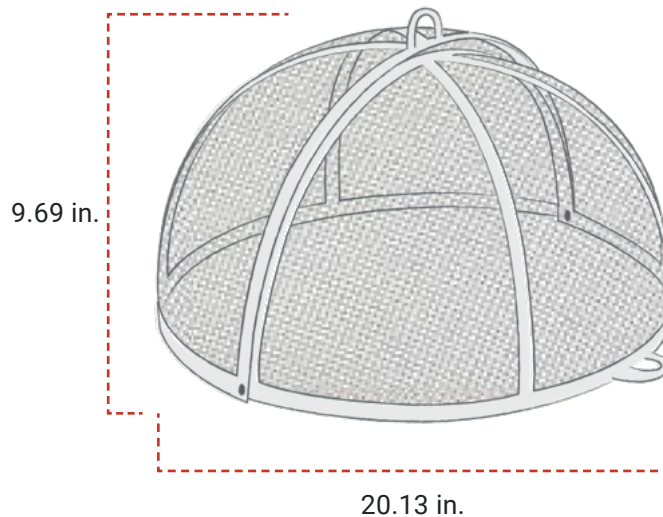


# SPARK SCREEN 19

## SPARK SCREEN SPECIFICATIONS

SKU: BR-SS19



NEW DESIGN FITS AND CLIPS INTO X SERIES

### MATERIAL:

**Spark Screen:**  
Stainless Steel

### DIMENSIONS:

**Inside Screen Width:** 19.32 in.  
**Outside Screen Width:** 20.13 in.  
**Handle Width:** 3.69 in.  
**Total Height:** 9.69 in.  
**Weight:** 5 lb. 11 oz.



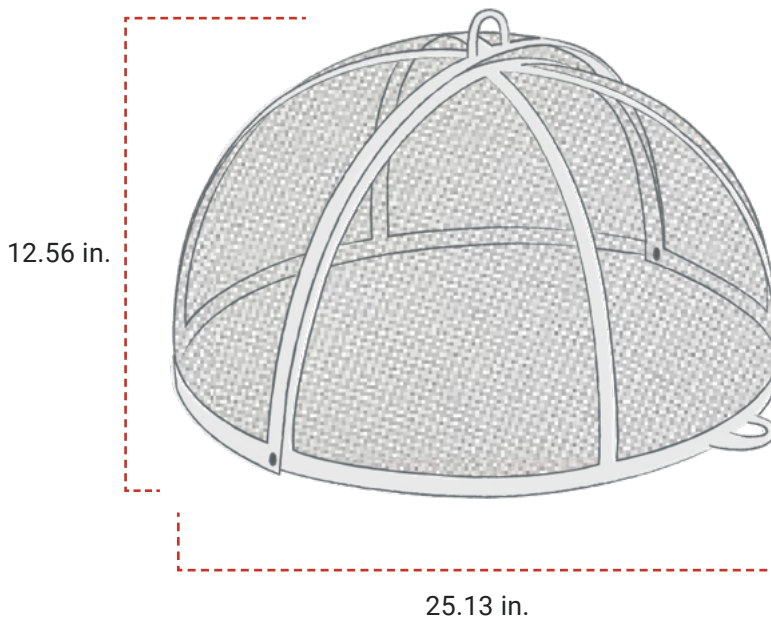
[WWW.BREEO.CO](http://WWW.BREEO.CO)



# SPARK SCREEN 24

## SPARK SCREEN SPECIFICATIONS

SKU: BR-SS24



NEW DESIGN FITS AND CLIPS INTO X SERIES

### MATERIAL:

**Spark Screen:**  
Stainless Steel

### DIMENSIONS:

**Inside Screen Width:** 24.33 in.  
**Outside Screen Width:** 25.13 in.  
**Handle Width:** 3.69 in.  
**Total Height:** 12.56 in.  
**Weight:** 8 lb. 3 oz.



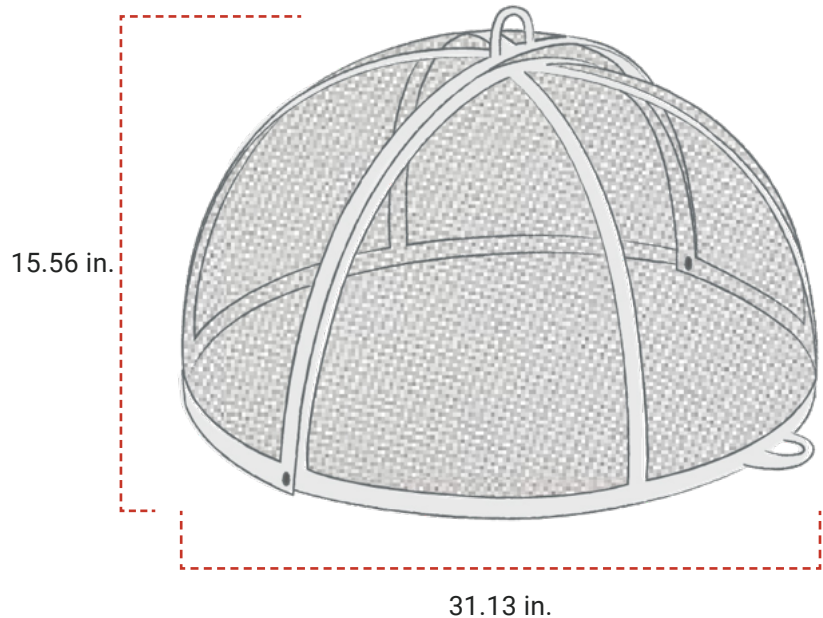
[WWW.BREEO.CO](http://WWW.BREEO.CO)



# SPARK SCREEN 30

## SPARK SCREEN SPECIFICATIONS

SKU: BR-SS30



NEW DESIGN FITS AND CLIPS INTO X SERIES

### MATERIAL:

**Spark Screen:**  
Stainless Steel

### DIMENSIONS:

**Inside Screen Width:** 30.34 in.  
**Outside Screen Width:** 31.13 in.  
**Handle Width:** 3.69 in.  
**Total Height:** 15.56 in.  
**Weight:** 11 lb. 3 oz.



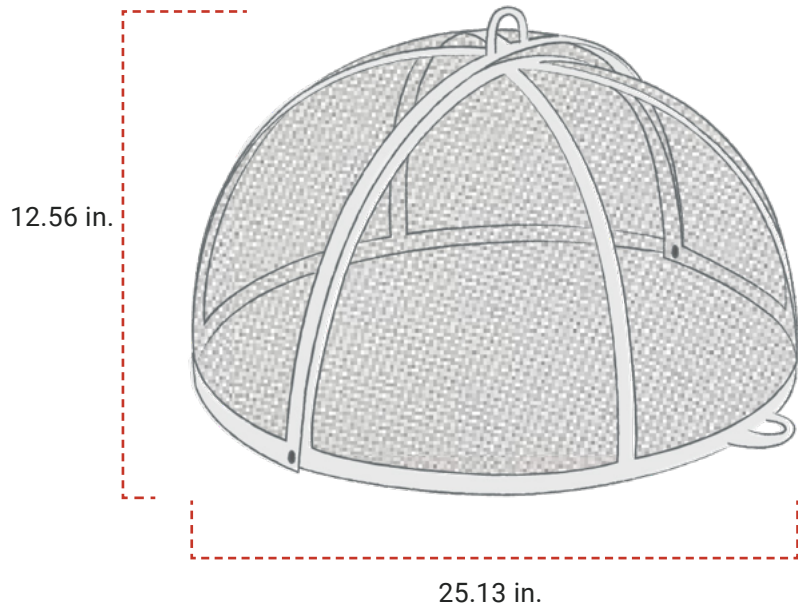
[WWW.BREEO.CO](http://WWW.BREEO.CO)



# LUXEVE® SPARK SCREEN

## SPARK SCREEN SPECIFICATIONS

SKU: BR-LE24-SS



SPARK SCREEN FITS ONTO THE LUXEVE®

### MATERIAL:

**Spark Screen:**  
Stainless Steel

### DIMENSIONS:

**Inside Screen Width:** 24.33 in.  
**Outside Screen Width:** 25.13 in.  
**Handle Width:** 3.69 in.  
**Total Height:** 12.56 in.  
**Weight:** 8 lb. 3 oz.