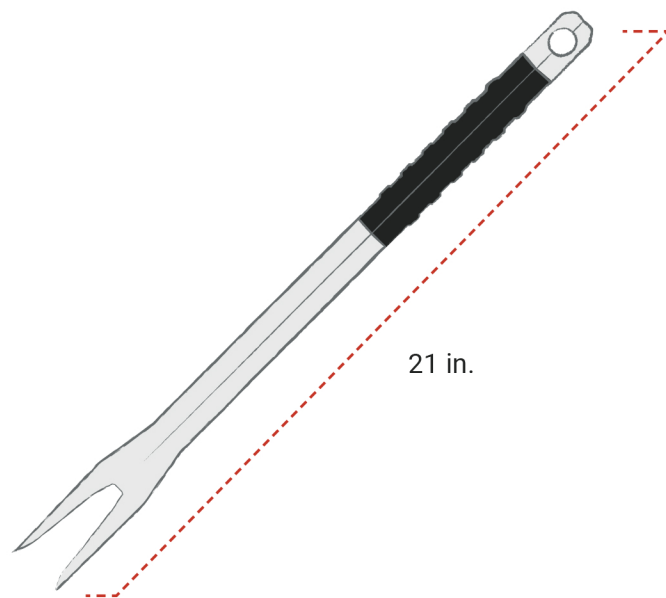


304 FORK

FORK SPECIFICATIONS

SKU: BR-304-F0



LIVE-FIRE COOKING TOOL

UNIT:

Material:

304 Stainless Steel

Silicone grips

Weight:

7 oz.

DIMENSIONS:

Total Length: 21 in.



[BREEO.COM](https://www.breeo.com)

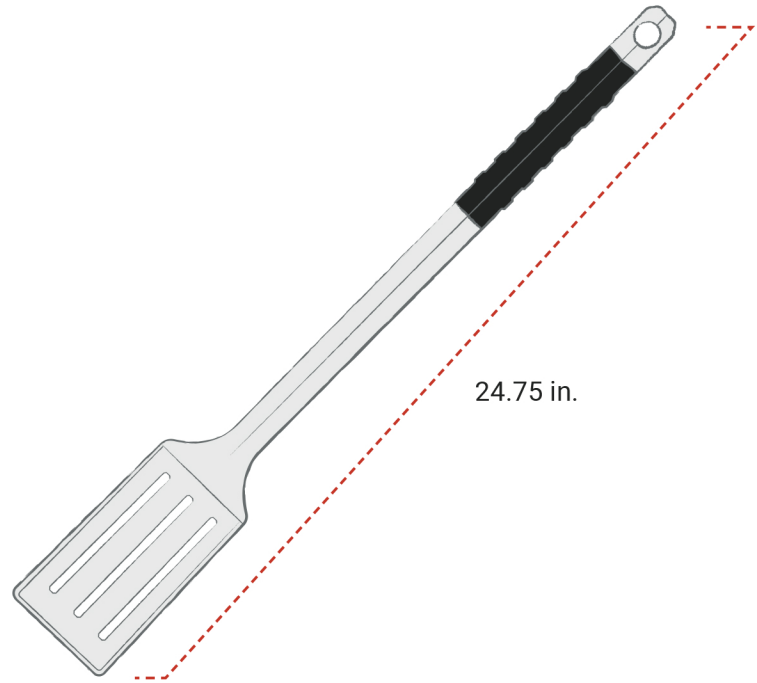
© 2023 Breeo LLC. All rights reserved. 5/23



304 SPATULA

SPATULA SPECIFICATIONS

SKU: BR-304-SP



24.75 in.

LIVE-FIRE COOKING TOOL

UNIT:

Material:

304 Stainless Steel

Silicone grips

Weight:

14 oz.

DIMENSIONS:

Total Length: 24.75 in.



[BREEO.COM](https://www.breeo.com)

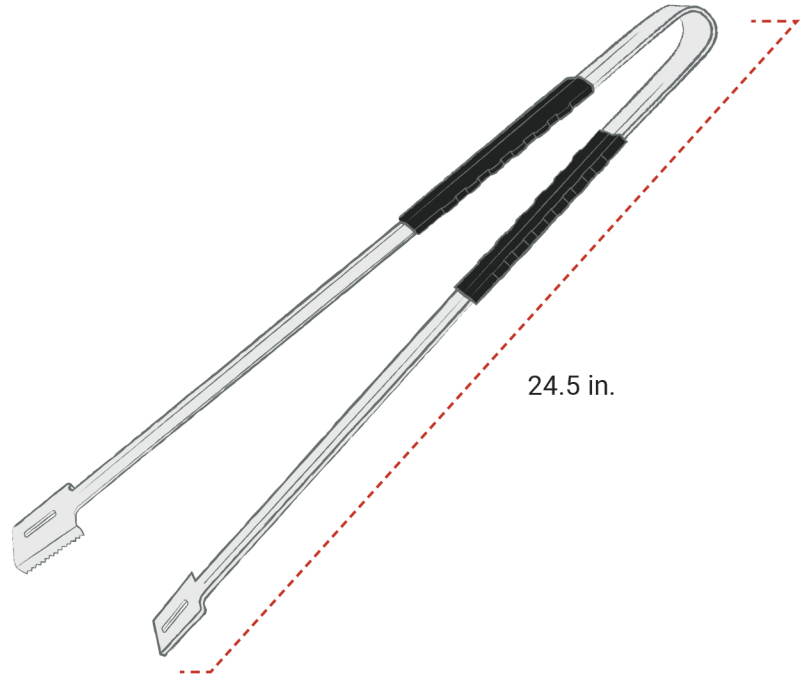
© 2023 Breeo LLC. All rights reserved. 5/23



304 TONGS

TONGS SPECIFICATIONS

SKU: BR-304-T0



LIVE-FIRE COOKING TOOL

UNIT:

Material:
304 Stainless Steel
Silicone grips

Weight:

1 lb. 5 oz.

DIMENSIONS:

Total Length: 24.5 in.



BREEO.COM

© 2023 Breco LLC. All rights reserved. 5/23

