

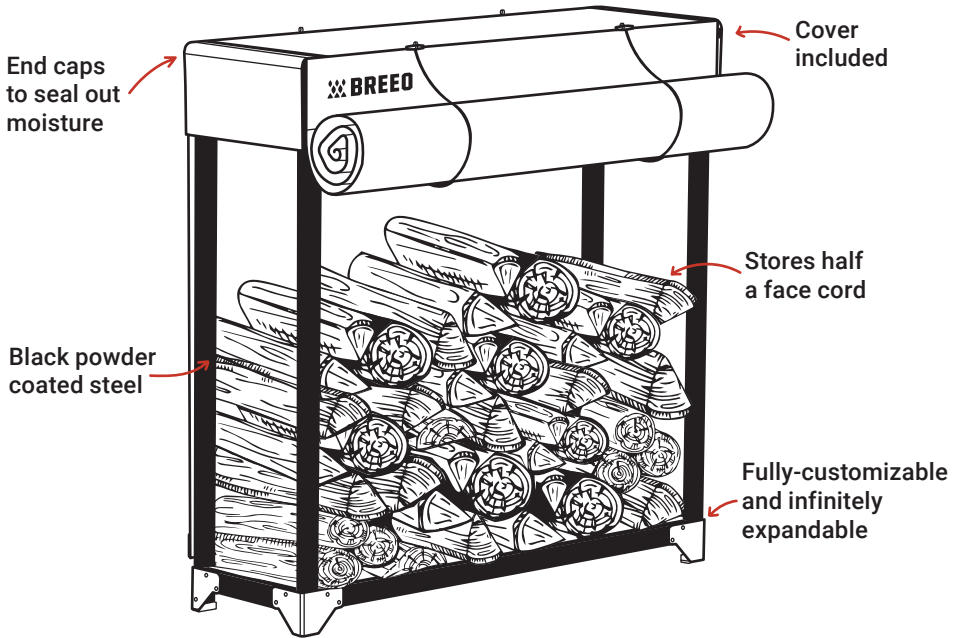
 **BREED®**

**USER
GUIDE**

**FIREWOOD
RACK**

STACK, SEASON & ORGANIZE WITH A BREEO RACK

The Firewood Rack from Breoo is an infinitely expandable way to store firewood, keeping it dry, neatly stacked, and ready to burn. Each section features 4 feet of firewood storage constructed from powder-coated steel and includes a water-resistant cover to keep wood dry. Keep it small with a Firewood Rack, or extend your storage with as many Expansion Kits as you need to keep the fire burning in all seasons.



FEATURES

PROTECTION: Included cover means your firewood stays dry, even when stored in uncovered spaces. End caps protect and keep moisture from collecting inside tubing to prevent oxidizing or damage.

DESIGN: Stainless steel footings at all ground contact points keeps your wood elevated off the ground and your rack firmly planted on any surface. Protective black powder-coating prevents rust and oxidation from creeping into your rack, making it safe to leave outdoors year round.

INFINITELY EXPANDABLE STORAGE: One Firewood Rack holds half a face cord. Add an Expansion Kit to create a 4' x 8' system that holds one face cord of wood. Wide stance and ample spacing makes stacking wood 15" or longer a breeze, allowing you to quickly feed fires with right-sized logs.

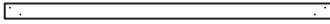
ASSEMBLY INSTRUCTIONS

→ [Watch the assembly video](#)

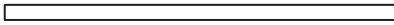
PARTS INCLUDED



Connector x2



Horizontal x2



Vertical x4



1 3/8" Bolt x16



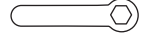
2 1/2" Bolt x4



Hex Nut x20



Hex Key



Box Wrench



Exterior Bracket
Breeo Logo x2



Exterior Bracket
No Logo x2



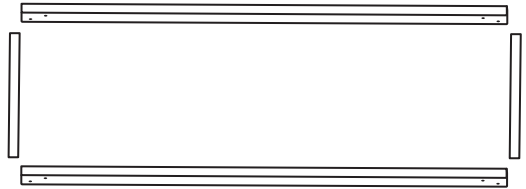
Left Interior
Bracket x2



Right Interior
Bracket x2

1 LAYOUT RACK

Form a rectangle on the ground using 2 Connectors and 2 Horizontal tubes.

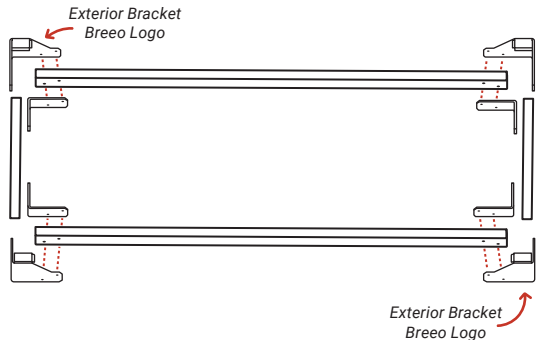


2 LAYOUT BRACKETS

Line up the 4 Exterior and 4 Interior Brackets with the holes at the appropriate corners. The long sections of the Exterior Bracket feet should run in the same direction as the Horizontal tubes.

(Ensure the Exterior Brackets with the Breeo logo are as shown to the right.)

Remember it is upside down right now, so the feet will be facing up.



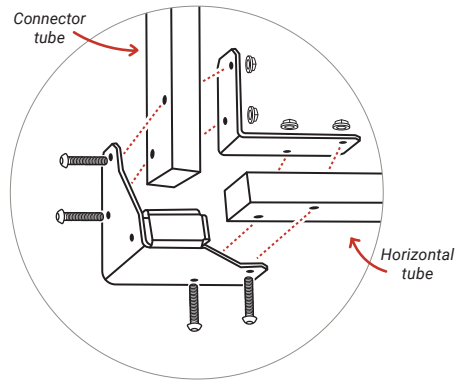
PLEASE NOTE:

If you purchase a Firewood Rack and an Expansion Kit they must be assembled together

[Expansion Kit user guide](#)

3 CONNECT RACK AND BRACKETS

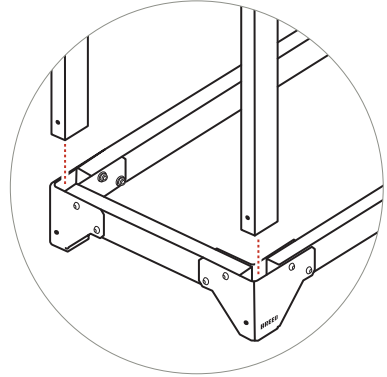
Using 4 of the shorter bolts and 4 nuts per corner, connect each tube to the Exterior and Interior Brackets, remembering to only hand tighten. Feed the bolts in from the exterior, so that the nuts are on the interior.



Once all corners are attached flip the rack over so the feet are on the ground.

4 ATTACH VERTICAL RODS

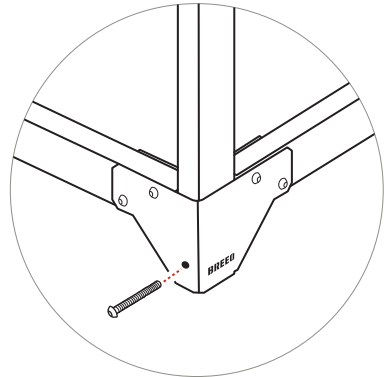
Insert each Vertical tube into a corner slot, keeping the end with the 3 holes towards the top.



These are a snug fit and may take some force.

5 FASTEN TOGETHER

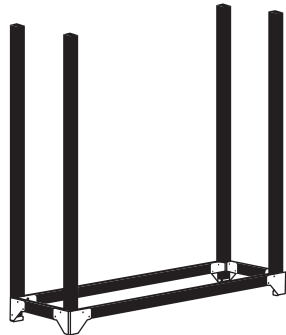
Once inserted, fasten each Vertical tube to the Exterior foot corner brackets using the 4 longer bolts.



6 TIGHTEN

Go around and tighten each nut and bolt using the Hex key and Wrench.

Finish off by adding your firewood and attaching the cover.



COVER INSTRUCTIONS

1 DRAPE OVER RACK

With the darker fabric on the top, and the Breco logo as the “front” side. Drape across the top of your wood rack.

Inside each top corner is a fabric sleeve, this will slide over each Vertical tube.



2 HOOK INTO PLACE

Attach the small hook on each corner of the cover to the corresponding hole on the Vertical tube.

Once they are all attached, tighten them using the strap to keep cover taut.



3 SECURE STRAPS

On the outside shorter edges there is a velcro strap on the inside, loop one strap around each Vertical tube.

The front and rear flaps have magnets that help it to stay against the Vertical tubes.



4 ROLL COVER

You can also keep your wood more exposed; if you want your wood more accessible, roll up your cover. To do so, roll up your cover flap and put the 2 black cords through the black loops on the top of the cover.



USE & CARE

Always be sure the Firewood Rack is resting on a level surface before adding wood to prevent tipping over.

Firewood on the bottom layer must be at least 15" in length.

To clean, use a power washer or garden hose and rag.

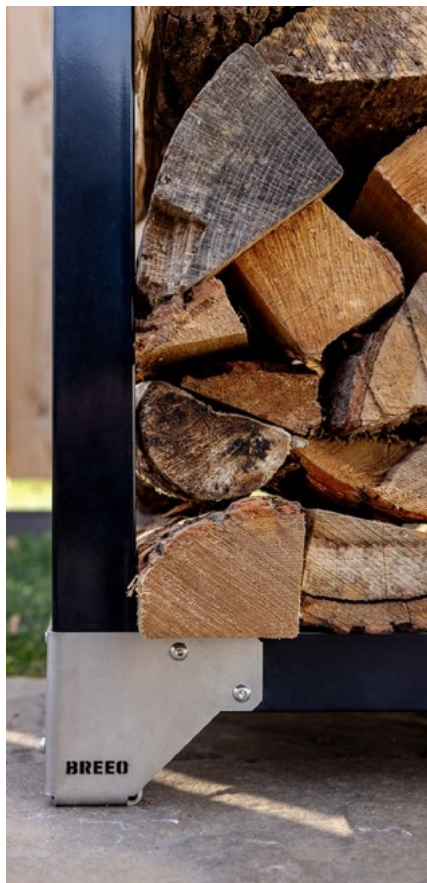
WARNING

The Firewood Rack can tip over if placed on an uneven or unlevel surface.

Do not allow children to climb on stacked wood to avoid falling or tipping the rack over.

Tip over hazard may increase with logs over 20" in length.

⚠️ WARNING: This product can expose you to nickel, which is known to the State of California to cause cancer and birth defects or reproductive harm. For more information go to www.p65warnings.ca.gov



WARRANTY

Breco, LLC warrants to the original purchaser that the Breco Fire Pits and Accessories are free from workmanship and material defects during the lifetime of the original purchaser. In addition Breco, LLC warrants no rust through or burn through for a period of five (5) years from purchase. If a product is covered by this limited warranty, Breco, LLC, at its option, will repair or replace with a new product free of charge, excluding any applicable shipping and handling charges. If the product being warranted has been discontinued, the replacement product will be of equal or similar value. Altering any Breco product, or using the product in any way other than the intended use, will void this Lifetime Warranty. Except as provided above, no warranty is offered on rust, paint or finishes due to being made with material with potential for corrosion. Steel products will develop a natural iron oxide patina over time.

Breco, LLC's liability and obligation is limited to repair or replacement of the product, at their option. The purchaser must provide Breco, LLC with photos of the product's defects for evaluation. Upon approval of warranty, Breco, LLC will issue a return for repair, or return for exchange of the defective product.

This warranty does not cover damage or product failure caused by normal wear and tear, accident, misuse, negligence, tampering, modifications, act of war, overloading, improper attachment, improper maintenance, or failure to maintain. Breco, LLC is held harmless for any injury or death caused by the misuse of this product. This warranty does not cover damage caused by proper or improper use of our products to any surrounding surfaces, structures, or furnishings. This includes, but is not limited to, discoloration or damage to a patio or deck surface, furniture, house, or any other structure.

This warranty gives you specific legal rights providing said product is put to its proper designated use. THIS WARRANTY IS EXPRESSLY IN LIEU OF ALL OTHER WARRANTIES, EXPRESS OR IMPLIED, INCLUDING THE WARRANTY OF MERCHANTABILITY AND FITNESS FOR A PARTICULAR PURPOSE. NO ORAL AGREEMENT, GUARANTEE, PROMISE, REPRESENTATION OR WARRANTY SHALL BE BINDING. IN NO EVENT WILL BRECO, LLC BE LIABLE FOR ANY SPECIAL, INDIRECT, INCIDENTAL OR CONSEQUENTIAL DAMAGES EVEN IF BRECO, LLC HAS BEEN ADVISED OF THE POSSIBILITY OF SUCH DAMAGES AND EVEN IF BRECO, LLC HAS KNOWLEDGE THAT FAILURE TO PERFORM COULD CAUSE CONSEQUENTIAL ECONOMIC LOSSES. IN ANY EVENT, CUMULATIVE DAMAGES FOR BREACH OF THIS WARRANTY WILL BE LIMITED TO THE AMOUNT ACTUALLY PAID TO BRECO, LLC FOR THE PRODUCT. THIS PARAGRAPH SHALL APPLY TO ALL ACTIONS RELATED TO THE PRODUCT, WHETHER BASED ON TORT, CONTRACT OR OTHER THEORIES. THE PURCHASER ACKNOWLEDGES THAT THIS PARAGRAPH ALLOCATES THE RISK OF PRODUCT FAILURE BETWEEN BRECO, LLC AND THE PURCHASER, AND THAT THIS ALLOCATION IS REFLECTED IN THE PRICE PAID.

EARN POINTS & ENJOY MEMBERSHIP BENEFITS

BECOME A FIREMASTER

- 1 SIGN UP**
Create an account and earn points.
breco.com/pages/rewards
- 2 EARN POINTS**
Every time you shop.
- 3 REDEEM POINTS**
For exclusive discounts and products.



BRECO.COM

(800) 413-9848

CONTACT@BREO.LLC.COM

©2024 Breco LLC. All rights reserved. 01/24

**SHARE & TAG
US ON SOCIAL**



@BRECO

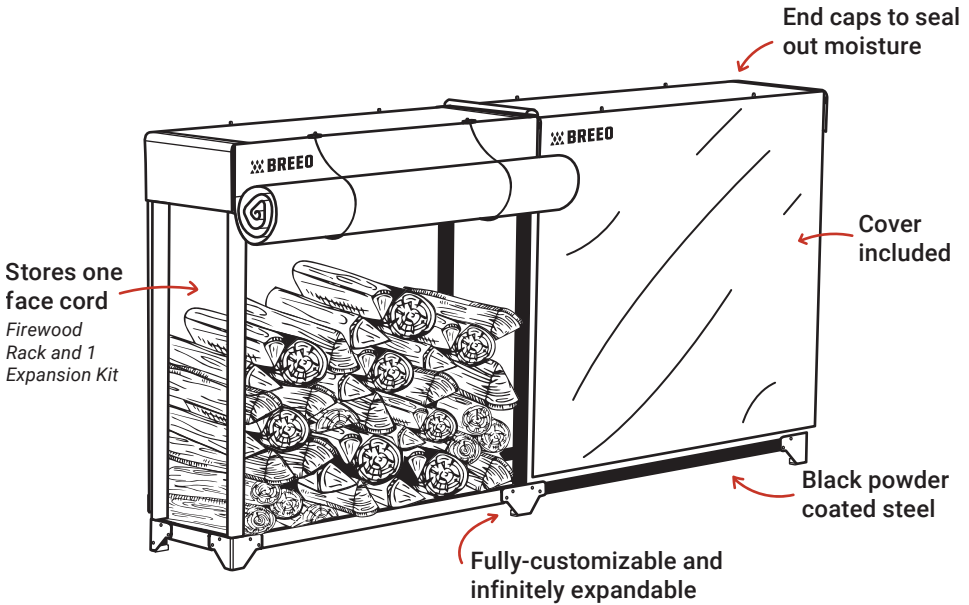
 BREED®
The logo features a stylized 'B' composed of three red diamond shapes arranged in a triangular pattern.

**USER
GUIDE**

**RACK
EXPANSION
KIT**

STACK, SEASON & ORGANIZE WITH A BREEO RACK

Expand your Firewood Rack storage easily with the Expansion Kit. Modular design and infinite expansion capabilities means your rack can transform to neatly store all your firewood, and the included water-resistant cover helps keep it dry and seasoned in the process. With each Expansion Kit, you'll expand your wood storage in 4' sections that allow you to separate wood by age or type, all while preventing logs from rolling or falling down as you use them.



FEATURES

PROTECTION: Included cover means your firewood stays dry, even when stored in uncovered spaces. End caps protect and keep moisture from collecting inside tubing to prevent oxidizing or damage.

DESIGN: Stainless steel footings at all ground contact points keeps your wood elevated off the ground and your rack firmly planted on any surface. Protective black powder-coating prevents rust and oxidation from creeping into your rack, making it safe to leave outdoors year round.

INFINITELY EXPANDABLE STORAGE: The Firewood Rack with one Expansion Kit create a 4' x 8' system that holds one face cord of wood. Wide stance and ample spacing makes stacking wood 15" or longer a breeze, allowing you to quickly feed fires with right-sized logs.

ASSEMBLY INSTRUCTIONS

→ [Watch the assembly video](#)

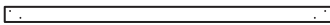
These directions will instruct on the assembly of 1 Wood Rack plus 1 Expansion Kit. In addition to the Wood Rack, the Expansion Kit will have...

If you purchase more than 1 Expansion Kit these instructions will still apply. If you purchase this after you already assembled your Firewood Rack - some disassembly will be involved.

PARTS INCLUDED



Connector x1



Horizontal x2



Vertical x2



Exterior Expansion Bracket x2



Left Interior Bracket x1



Right Interior Bracket x1



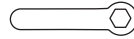
1 3/8" Bolt x12



Hex Nut x12



Hex Key



Box Wrench

1 LAYOUT RACK AND EXPANSION KIT

Form one long rectangle on the ground using 3 Connectors and 4 Horizontal tubes, with a Connector tube placed wherever 2 Horizontal tubes meet.

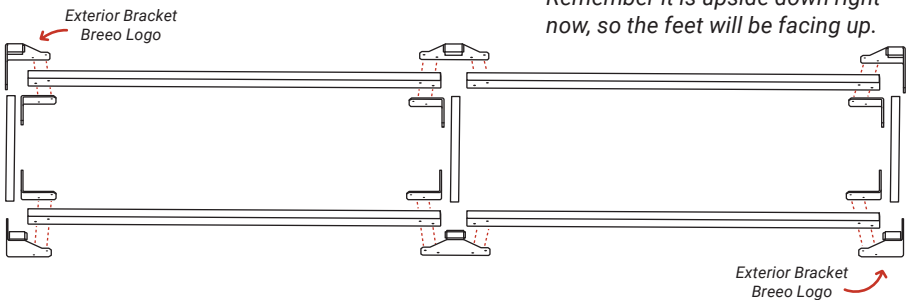
2 LAYOUT BRACKETS

Line up 4 Exterior and 4 Interior Brackets with the holes at the appropriate corner. The long sections of the Exterior Bracket feet should run in the same direction as the Horizontal tubes.

(Ensure the Exterior Brackets with the Breco logo are as shown below.)

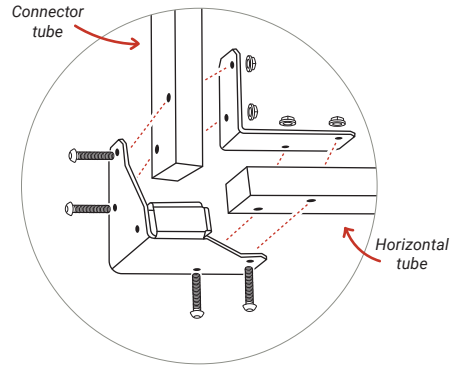
Place 2 additional Interior Brackets on one side of the middle Connector tube where the Horizontal tubes meet. Place 2 Exterior Expansion Brackets on the exterior where the Horizontal tubes meet.

Remember it is upside down right now, so the feet will be facing up.



3 CONNECT RACK AND BRACKETS

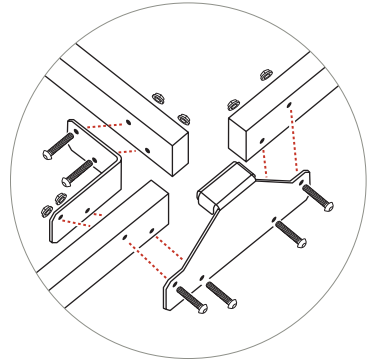
Using 4 of the shorter bolts and 4 nuts per bracket, connect each tube to the Exterior and Interior Brackets, remembering to only hand tighten. Feed the bolts in from the exterior, so that the nuts are on the interior.



4 CONNECT EXPANSION BRACKETS

Using 4 of the shorter bolts and 4 nuts per Expansion Bracket, connect each tube to the Expansion and Interior Brackets.

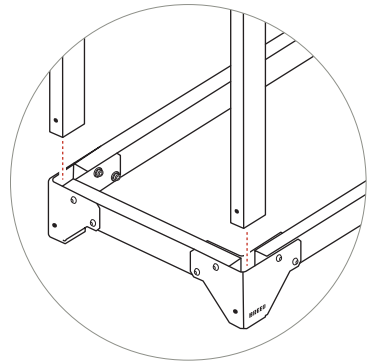
Flip the rack over so the feet are on the ground.



5 ATTACH VERTICAL RODS

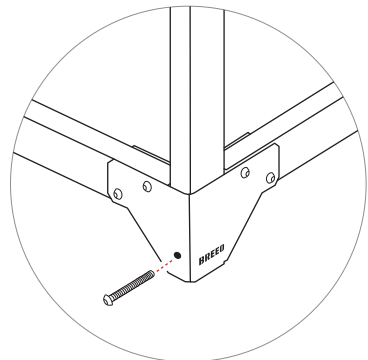
Insert each (6) Vertical tube into a corner slot, keeping the end with the 3 holes towards the top.

These are a snug fit and may take some force.



6 FASTEN TOGETHER

Once inserted, fasten each Vertical tube to the Exterior foot corner bracket using the 4 longer bolts. The Vertical tubes in the middle of the Expansion Bracket do not get a bolt.



7 TIGHTEN

Go around and tighten each nut and bolt using the Hex key and Wrench.

Finish off by adding your firewood and attaching the cover.

COVER INSTRUCTIONS

1 DRAPE OVER RACK

With the darker fabric on the top, and the Breco logo as the “front” side. Drape across the top of your wood rack. Inside each top corner is a fabric sleeve, this will slide over each Vertical tube.



2 HOOK INTO PLACE

Attach the small hook on each corner of the cover to the corresponding hole on the Vertical tube. Once they are all attached, tighten them using the strap to keep cover taut.



3 SECURE STRAPS

On the outside shorter edges there is a velcro strap on the inside, loop one strap around each Vertical tube. The front and rear flaps have magnets that help it to stay against the Vertical tubes.

4 CONNECT TWO COVERS

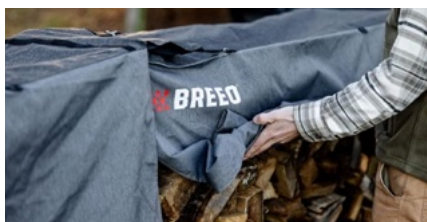
Where two covers meet, one of the side flaps will attach to the Vertical tubes on an exposed side, the other flap will overlap onto the other cover, velcroing down on the aligned velcro.

Then use the hooks paired with that flap and hook onto the small black loops (same that are used for holding up the rolled flap) and pull tight in order to keep the top of the cover taut.



5 ROLL COVER

You can also keep your wood more exposed; if you want your wood more accessible, roll up your cover. To do so, roll up your cover flap and put the 2 black cords through the black loops on the top of the cover.



USE & CARE

Always be sure the Firewood Rack and Expansion Kit are resting on a level surface before adding wood to prevent tipping over.

Firewood on the bottom layer must be at least 15" in length.

To clean, use a power washer or garden hose and rag.

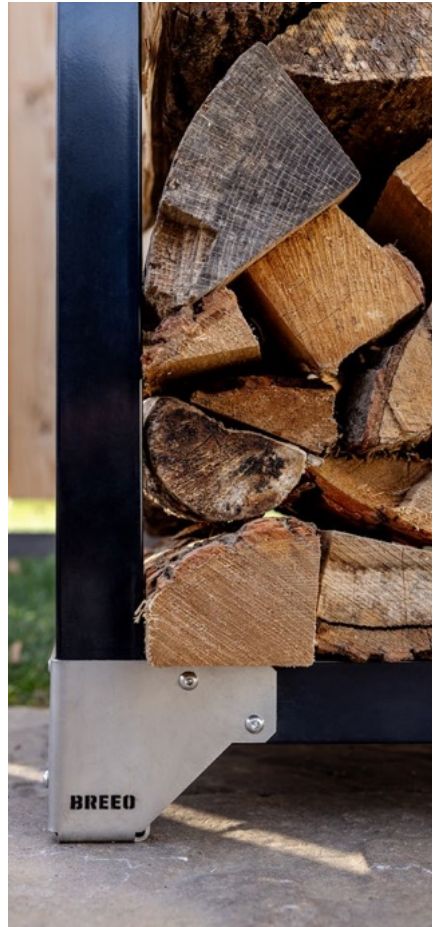
WARNING

The Firewood Rack and Expansion Kit can tip over if placed on an uneven or unlevel surface.

Do not allow children to climb on stacked wood to avoid falling or tipping the rack over.

Tip over hazard may increase with logs over 20" in length.

⚠️ WARNING: This product can expose you to nickel, which is known to the State of California to cause cancer and birth defects or reproductive harm. For more information go to www.p65warnings.ca.gov



WARRANTY

Breco, LLC warrants to the original purchaser that the Breco Fire Pits and Accessories are free from workmanship and material defects during the lifetime of the original purchaser. In addition Breco, LLC warrants no rust through or burn through for a period of five (5) years from purchase. If a product is covered by this limited warranty, Breco, LLC, at its option, will repair or replace with a new product free of charge, excluding any applicable shipping and handling charges. If the product being warranted has been discontinued, the replacement product will be of equal or similar value. Altering any Breco product, or using the product in any way other than the intended use, will void this Lifetime Warranty. Except as provided above, no warranty is offered on rust, paint or finishes due to being made with material with potential for corrosion. Steel products will develop a natural iron oxide patina over time.

Breco, LLC's liability and obligation is limited to repair or replacement of the product, at their option. The purchaser must provide Breco, LLC with photos of the product's defects for evaluation. Upon approval of warranty, Breco, LLC will issue a return for repair, or return for exchange of the defective product.

This warranty does not cover damage or product failure caused by normal wear and tear, accident, misuse, negligence, tampering, modifications, act of war, overloading, improper attachment, improper maintenance, or failure to maintain. Breco, LLC is held harmless for any injury or death caused by the misuse of this product. This warranty does not cover damage caused by proper or improper use of our products to any surrounding surfaces, structures, or furnishings. This includes, but is not limited to, discoloration or damage to a patio or deck surface, furniture, house, or any other structure.

This warranty gives you specific legal rights providing said product is put to its proper designated use. THIS WARRANTY IS EXPRESSLY IN LIEU OF ALL OTHER WARRANTIES, EXPRESS OR IMPLIED, INCLUDING THE WARRANTY OF MERCHANTABILITY AND FITNESS FOR A PARTICULAR PURPOSE. NO ORAL AGREEMENT, GUARANTEE, PROMISE, REPRESENTATION OR WARRANTY SHALL BE BINDING. IN NO EVENT WILL BRECO, LLC BE LIABLE FOR ANY SPECIAL, INDIRECT, INCIDENTAL OR CONSEQUENTIAL DAMAGES EVEN IF BRECO, LLC HAS BEEN ADVISED OF THE POSSIBILITY OF SUCH DAMAGES AND EVEN IF BRECO, LLC HAS KNOWLEDGE THAT FAILURE TO PERFORM COULD CAUSE CONSEQUENTIAL ECONOMIC LOSSES. IN ANY EVENT, CUMULATIVE DAMAGES FOR BREACH OF THIS WARRANTY WILL BE LIMITED TO THE AMOUNT ACTUALLY PAID TO BRECO, LLC FOR THE PRODUCT. THIS PARAGRAPH SHALL APPLY TO ALL ACTIONS RELATED TO THE PRODUCT, WHETHER BASED ON TORT, CONTRACT OR OTHER THEORIES. THE PURCHASER ACKNOWLEDGES THAT THIS PARAGRAPH ALLOCATES THE RISK OF PRODUCT FAILURE BETWEEN BRECO, LLC AND THE PURCHASER, AND THAT THIS ALLOCATION IS REFLECTED IN THE PRICE PAID.

EARN POINTS & ENJOY MEMBERSHIP BENEFITS

BECOME A FIREMASTER

- 1 SIGN UP**
Create an account and earn points.
breco.com/pages/rewards
- 2 EARN POINTS**
Every time you shop.
- 3 REDEEM POINTS**
For exclusive discounts and products.



BRECO.COM

(800) 413-9848

CONTACT@BREO.LLC.COM

©2024 Breco LLC. All rights reserved. 01/24

**SHARE & TAG
US ON SOCIAL**



@BRECO