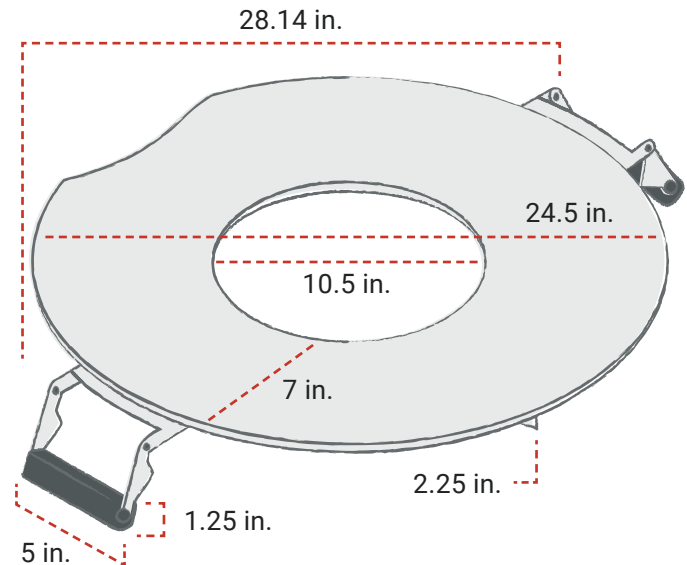


X SERIES 24 SEARPLATE™ GRIDDLE

SEARPLATE GRIDDLE SPECIFICATIONS

SKU: BR-SP24-STRO



FLAT COOKING SURFACE THAT HOLDS HEAT EVENLY

MATERIAL:

SearPlate Griddle:

Carbon Steel

Tabs:

Stainless Steel

Handle Grip:

Pakka Wood

DIMENSIONS:

Inside Diameter: 10.5 in.

Total Diameter: 24.5 in.

Rim Width Flange: 7 in.

Total Width: 28.14 in.

(Including Handle Brackets)

Tab Height: 2.25 in.

Handle Length: 5 in.

Handle Width: 1.25 in.

Total Weight: 33.5 lbs.



WWW.BREEO.CO

