

# Y SERIES

SMOKELESS FIRE PIT



Y SERIES USER GUIDE



# BUILT-IN FEATURES

## LIGHT AND TOUGH

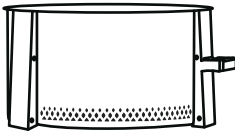
Made in the USA out of 304 Stainless Steel. Lighter weight than standard backyard fire pits.

## EFFICIENT SMOKELESS BURN

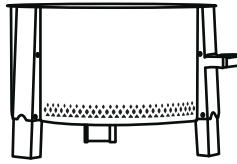
The Y Airflow™ is designed to give the optimal amount of air to your fire. This, along with our enhanced secondary burn technology, produces the optimal smokeless fire experience.

## ADJUSTABLE LEGS

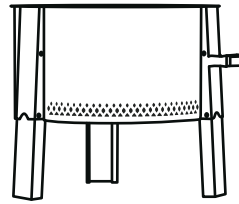
**STOW** for easy carry, transport, or storage  
**BURN** for time around a smokeless fire  
**COOK** for optimal grilling height  
*DO NOT ADJUST WHILE HOT.*



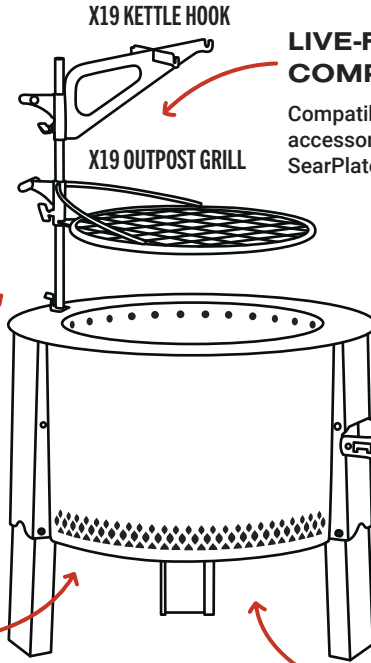
STOW



BURN



COOK



## LIVE-FIRE COOKING COMPATIBLE

Compatible with all our X SERIES 19 accessories including the Outpost™ Grill, SearPlate™ Griddle, and Kettle Hook,

## HANDLE

Allows for easy carry and transport to your destination. Also includes bottle openers on the side.

## MULTI-SURFACE SAFE

Safe to use on a variety of surfaces including stone, pavement, wood chips, and decking. When using on or near any combustible surface we recommend a spark screen, compatible with X19 Spark Screen.

# TENDING TO YOUR FIRE PIT

## CLEANING

Your Y SERIES fire pit is built out of high-quality 304 stainless steel. This material is very low maintenance and can be easily cleaned with Bar Keepers Friend or soda ash, and an abrasive pad.

If spraying down with water, allow the fire pit to dry completely, do not store it wet.

If legs are difficult to adjust, remove legs from the fire pit and clean out any debris or ash that may have gotten inside the housing.

## ASH MAINTENANCE

Ash should be dumped out regularly. Do not allow built-up ash to get wet, this can cause the metal to degrade or rust.

Wait for the fire pit to cool down and for the fire/coals to completely extinguish before touching or dumping out ashes. Ashes should always be dumped out in a safe area.

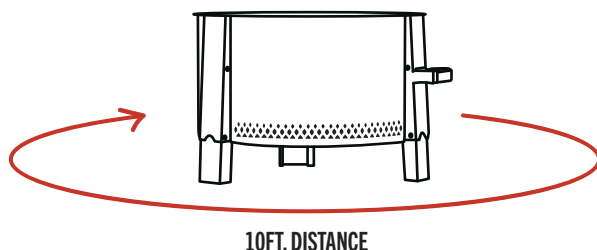
Always clean the ashes out of your Y SERIES fire pit before storing or if not in use for long periods of time.

# READY TO GO. READY TO BURN. READY TO COOK.

## Y SERIES QUICK START

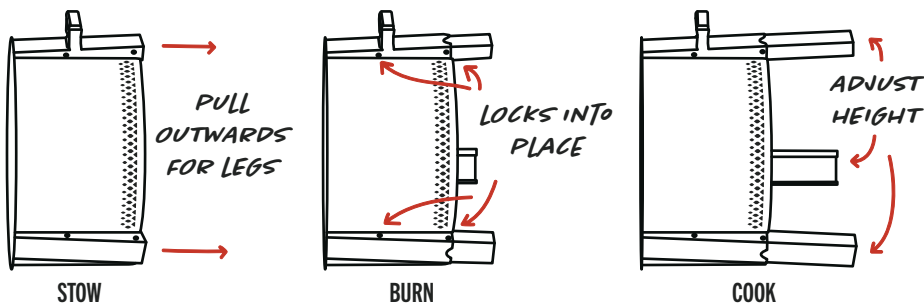
### FIND A LOCATION

Place your Y SERIES fire pit **OUTSIDE** on a level surface. The area should be well ventilated with ample room around the fire pit and void of any flammable objects.



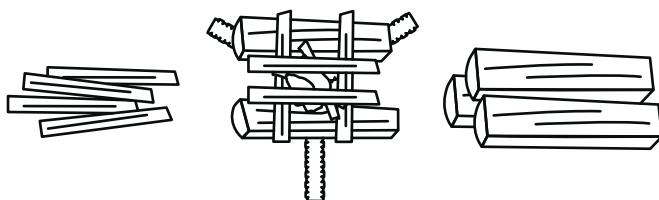
### EXTEND LEGS BEFORE USING

Your Y SERIES fire pit is shipped with the legs in full **STOW** position. You **MUST** extend and lock the legs into the middle **BURN** or high **COOK** position before starting a fire. **DO NOT BURN WITH LEGS IN THE LOWEST/STOW POSITION.**



### BUILD A FIRE

Start by using good dry split firewood and prepare the kindling to build a "Log Cabin" in the center of the fire pit. Place paper, fire starters, or tinder in the center and light. As the fire gets going you can now add more dry firewood. See the section on how to build a fire for the full guide.



### FIRE PIT SAFETY

Always have something to put out the fire in case of emergency. Do not burn fires in illegal areas such as above tree lines or sensitive areas with fire bans or high potential for forest fires.

# HOW TO BUILD A FIRE

## CHOOSE YOUR FUEL

You can use wood, lump charcoal, or pellets in your Y SERIES fire pit. We always recommend using natural wood when available and legal to burn.



WOOD



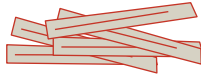
CHARCOAL



PELLETS

## WOOD

There are 3 categories of fuel needed to get your fire burning: firestarter/tinder, kindling, and split wood or main fuel. Each of these fuel types contributes to the overall health and performance of your fire throughout the burn. Using high-quality, very dry materials is extremely important.



### 1. FIRESTARTER

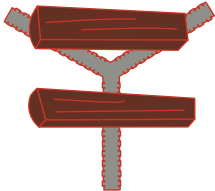
Start with a good firestarter such as wax-dipped tumbleweed or fatwood (resin-soaked pine) pieces. Shredded newspaper or cardboard will also work. Using a natural firestarter is important in preventing carcinogens and gas flavor or smell permeating your fire.

### 2. KINDLING

We recommend very dry softwoods split down between .5" and 1.5" in diameter. Dried, untreated 2" x 4"s or anything similar will make great kindling, just make sure to split them down into small enough pieces.

### 3. SPLIT WOOD

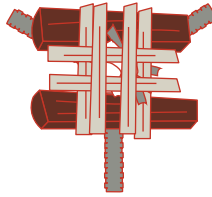
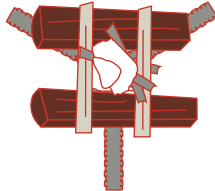
Lastly, you have your main fuel. This will be dried, split wood as small as 2" and no bigger than 4" in diameter, and cut to fit inside the fire pit. Your firewood must be thoroughly dried. If you're planning to cook, hardwoods are ideal.



#### STEP 1

### BUILD A LOG CABIN

Start with 2 pieces of split wood and lay them parallel to each other over the Y Airflow™ system to create airflow beneath your fire. Then, stack two pieces of kindling perpendicular across the split wood, and place your firestarter in the center of the four walls. Continue stacking the kindling until it approaches the top quarter of your fire pit (about 4-5 layers), filling the center with firestarter as you go.



#### STEP 2

### LIGHT IT UP

Using a grill lighter or a long match, light the firestarter at the bottom of the log cabin. We don't recommend using small matches, as they can be hazardous and are difficult to use when you're reaching into the bottom of the fire pit.



#### STEP 3

### FEED THE FLAMES

Once your kindling starts turning black and the fire begins licking up through the pieces, you can begin adding small pieces of split wood. Add 1-2 pieces of wood at a time to keep the fire at a relatively consistent temperature and height throughout the burn. As you place your split wood on the fire, your log cabin will begin to break apart. Continue adding wood to the perimeter of the fire when needed, making sure the wood is never above the fire pit rim.



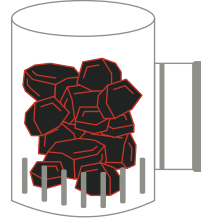
# HOW TO BUILD A FIRE

## LUMP CHARCOAL

### STEP 1

#### USE A CHARCOAL CHIMNEY

The best way to get the right amount of coals burning in your Y SERIES fire pit is by using a standard-size charcoal chimney. Place firestarter, tinder, and/or paper in the bottom of the charcoal chimney. Then, stack lump charcoal inside the chimney until full.



### STEP 2

#### LIGHT IT UP

Light at the bottom and wait until coals are burning and hot. Once the coals are hot you can then dump them into the bottom of the fire pit.

### STEP 3

#### LET IT BURN

This should be the perfect amount of lump charcoal to use in your Y SERIES fire pit. Do not add any more charcoal.

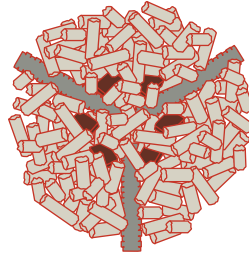
## WOOD PELLETS

### STEP 1

#### BUILD A BASE LAYER

Start by pouring 3"-4" of high-quality pellets into the bottom of your Y SERIES fire pit. It helps to push some of the unlit pellets into a mound in the center of the Y inside the fire pit.

Place 2 firestarters close to the Y Airflow™ in each quadrant. Firestarters should be nestled into the pellets with the tops exposed for lighting.



### STEP 2

#### LIGHT IT UP

Using a grill lighter or long match, light each of the firestarters. We suggest lighting the firestarters the furthest away from you first, then working your way back towards where you are standing, this way you do not have to reach over any flames.

### STEP 3

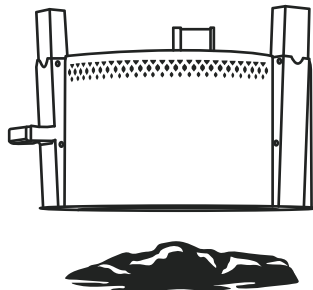
#### FEED THE FLAMES

Pellets burn hot and fast, add 1-2 cups at a time to refuel. If you add too much at once, the airflow can slow down, and the pellets may smoke at first until they ignite. Having a small scoop on hand to add pellets is very helpful. You can also add split wood on top of the pellets to keep the fire burning.

## LET IT BURN OUT

The recommended method for putting out your fire is to let it burn out. This creates the least amount of ash which results in easy clean-up. DO NOT pour water over the fire pit or leave the fire unattended. If you do need to walk away for any reason be sure to use a spark screen and make sure there is nothing nearby that could catch fire or get damaged.

After your ashes cool down, clean out your Y SERIES fire pit by simply using the handle to dump the ashes out in a safe area or container.



# FOR YOUR SAFETY

The Breco Y SERIES Smokeless Fire Pit is designed for outdoor use only. Never use your Y SERIES fire pit in a building, garage, or any enclosed area. Do not use your Y SERIES fire pit in illegal areas or when fire bans or the potential for forest fires exist. Always place your Y SERIES fire pit on a level, stable surface. The legs of your Y SERIES fire pit must be extended and locked into the Middle/BURN or High/COOK setting before lighting.

Do not move or adjust the settings of your Y SERIES fire pit when burning. Do not move or store your Y SERIES fire pit until all ashes and coals are extinguished and all surfaces have cooled completely.

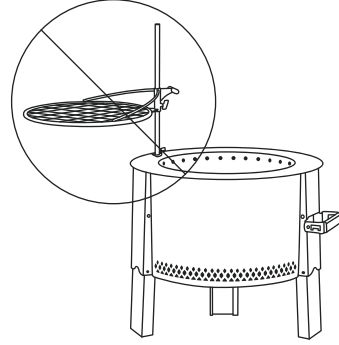
Never touch ashes or coals to see if they are hot. All surfaces of the fire pit will become extremely hot when in use. To avoid burns, don't touch any part of the fire pit until it's completely cool (unless you're using protective gear like fire gloves, hot pads, potholders, etc.).

Exercise the same caution you would with any open fire. When using your Y SERIES fire pit, never leave it unattended, especially around children and pets.

When using your Y SERIES fire pit on a combustible surface, we recommend using a spark screen and keeping the wood below the rim to ensure proper fire safety.

Always have something to put out the fire in case of emergency.

When cooking on your Y SERIES with the Outpost Grill, do not swing the Outpost Grill and Kettle Hook 180° away from the fire pit, this can cause potential tipping.



# WARRANTY

**Warranty Term:** Breco, LLC warrants to the original purchaser that the Breco Y Series Smokeless Fire Pit is free from workmanship and material defects during the lifetime of the original purchaser. In addition Breco, LLC warrants no rust through or burn through for a period of five (5) years from invoice/receipt date. This product is covered by this limited warranty. Breco, LLC's liability and obligation is limited to repair or replacement of the product at their discretion free of charge, excluding any applicable shipping and handling fees. If the product being warranted has been discontinued, the replacement product will be of equal or similar value. Altering any Breco product, or using the product in any way other than the intended use, will void this warranty. Except as provided above, no warranty is offered on rust, paint or finishes due to being made with material with potential for corrosion. Steel products will develop a natural iron oxide patina over time.

**Claim Process:** The purchaser must provide Breco, LLC with invoice/receipt of purchase and photos of the product's defects for evaluation. Claims for rust must be submitted within five (5) years from invoice/receipt date. Upon approval of claim, Breco, LLC will issue a return for repair, or return for exchange of the defective product free of charge, excluding any applicable shipping and handling fees.

**Exclusions:** This warranty does not cover damage or product failure caused by:

- Normal wear and tear
- Accident, misuse, negligence, tampering, modifications, act of war, overloading
- Improper attachment, improper maintenance, or failure to maintain.

Breco, LLC is held harmless for any injury or death caused by the misuse of this product.

This warranty does not cover damage caused by proper or improper use of our products to any surrounding surfaces, structures, or furnishings.

**Notice:** This warranty gives you specific legal rights providing said product is put to its proper designated use. THIS WARRANTY IS EXPRESSLY IN LIEU OF ALL OTHER WARRANTIES, EXPRESS OR IMPLIED, INCLUDING THE WARRANTY OF MERCHANTABILITY AND FITNESS FOR A PARTICULAR PURPOSE. NO ORAL AGREEMENT, GUARANTEE, PROMISE, REPRESENTATION OR WARRANTY SHALL BE BINDING. IN NO EVENT WILL BRECO, LLC BE LIABLE FOR ANY SPECIAL, INDIRECT, INCIDENTAL OR CONSEQUENTIAL DAMAGES EVEN IF BRECO, LLC HAS BEEN ADVISED OF THE POSSIBILITY OF SUCH DAMAGES AND EVEN IF BRECO, LLC HAS KNOWLEDGE THAT FAILURE TO PERFORM COULD CAUSE CONSEQUENTIAL ECONOMIC LOSSES. IN ANY EVENT, CUMULATIVE DAMAGES FOR BREACH OF THIS WARRANTY WILL BE LIMITED TO THE AMOUNT ACTUALLY PAID TO BRECO, LLC FOR THE PRODUCT. THIS PARAGRAPH SHALL APPLY TO ALL ACTIONS RELATED TO THE PRODUCT, WHETHER BASED ON TORT, CONTRACT OR OTHER THEORIES. THE PURCHASER ACKNOWLEDGES THAT THIS PARAGRAPH ALLOCATES THE RISK OF PRODUCT FAILURE BETWEEN BRECO, LLC AND THE PURCHASER, AND THAT THIS ALLOCATION IS REFLECTED IN THE PRICE PAID.



[WWW.BRECO.CO](http://WWW.BRECO.CO)

(800) 413-9848

[CONTACT@BRECO.LLC](mailto:CONTACT@BRECO.LLC)



Scan to learn more