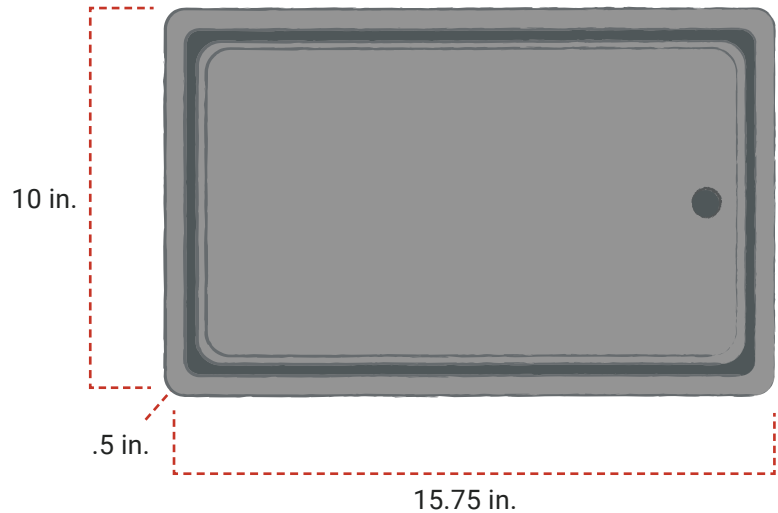
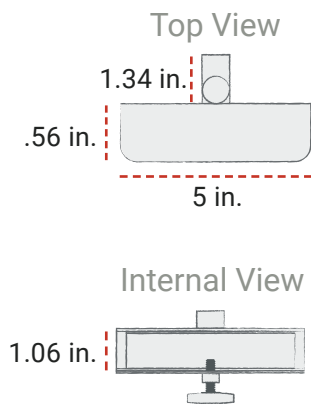


OUTRIG TRAY

OUTRIG TRAY & BRACKET SPECIFICATIONS

SKU: BR-XS-OUTA



FITS THE X SERIES CHAIR

MATERIAL:

OutRig Tray:

HDPE

OutRig Tray Bracket:

304 Stainless Steel

DIMENSIONS:

Tray Width: 10 in.

Tray Length: 15.75 in.

Tray Thickness: .5 in.

Total Weight (with bracket): 2.7 lbs.



WWW.BREEO.CO

